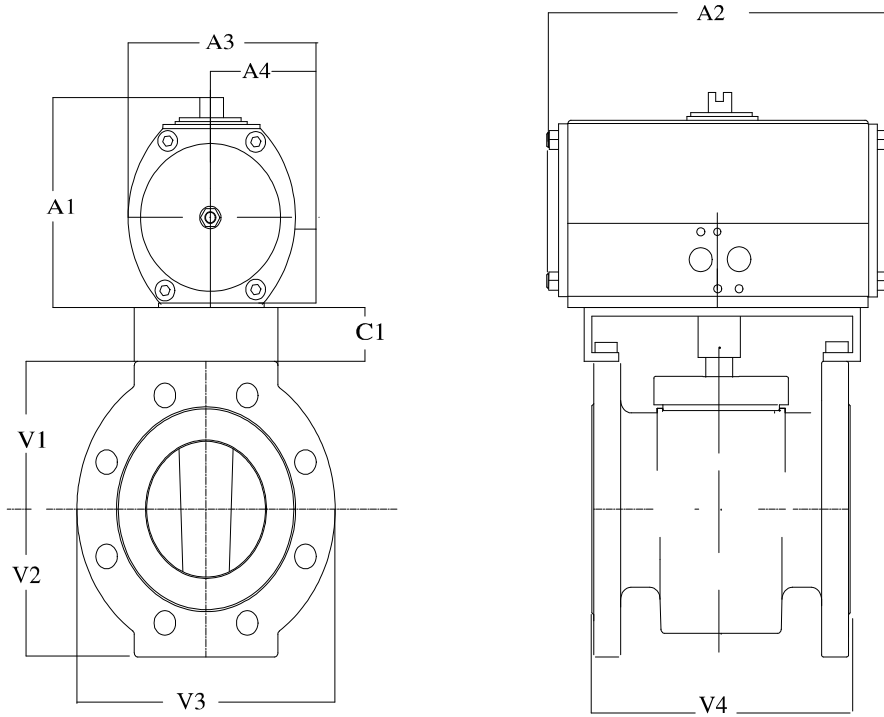


Customer

Project Name

Engineer



Product Code: 1/2R152/F/TSR8-WCB/316-P

Valve Type: 1/2 inch Fluoroseal Sleeved Plug Valve Ansi Class 150

Body: Flanged

Trims: 316

Seat/Liner: Teflon

Working Pressure: 275 psi

Actuator Type: TSR 008 F05 0 3 Fail Close /Fail Open

Actuator Mat.: Aluminium Hard Anodised

Manual Override: NOT REQUESTED

Air Supply: 60 psi

Solenoid Valve: NOT REQUESTED

Switch Box: NOT REQUESTED

Positioner: NOT REQUESTED

Acc Bracket: By Fluoroseal

Dim:	A1	A2	A3	A4	V1	V2	V3	V4	C1
Ins:	5.08	6.38	4.13	2.24	1.75	1.75	3.50	4.30	0.91

Overall Height to c/l of valve:- 7.74 ins

Num bolt holes :- 4 **Bolt dia:-** 0.63 **Bolt circle dia:-** 2.38



Fluoroseal

Issued By: Fluoroseal

File Ref: Automated packages

ALL RIGHTS RESERVED

Date: 8/5/2008