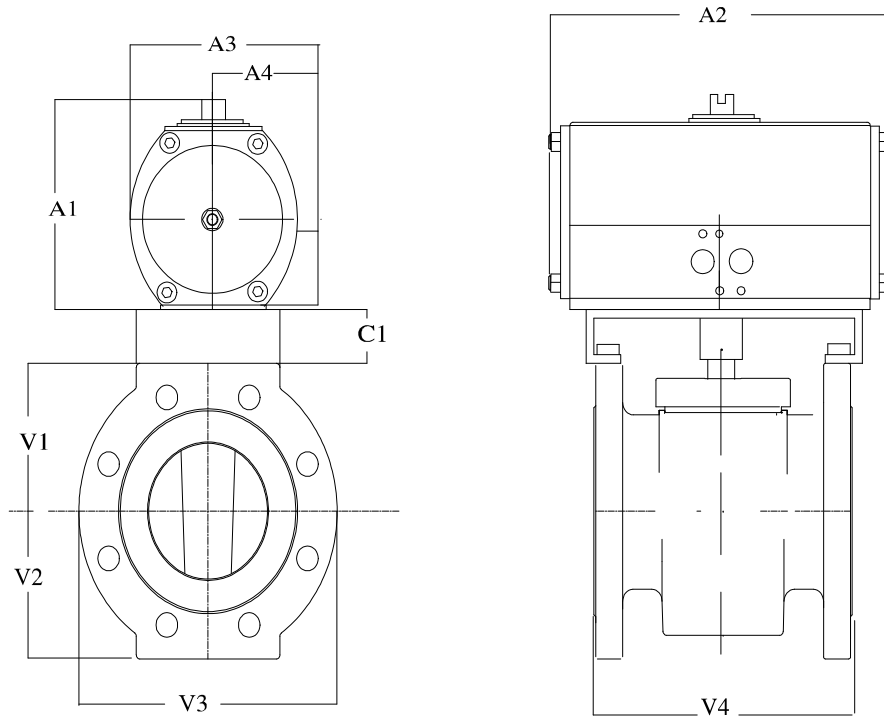


Customer

Project Name

Engineer



Product Code: 1 1/2 R152/F/TSR55-WCB/316-P

Valve Type: 1 1/2 inch Grinnell Fluoroseal Sleeved Plug Valve Ansi Class 150

Body: Flanged

Trims: 316

Seat/Liner: Teflon

Working Pressure: 275 psi

Actuator Type: TSR 055 F12 0 4 Fail Close / Fail Open

Actuator Mat.: Aluminium Hard Anodised

Manual Override: NOT REQUESTED

Air Supply: 60 psi

Solenoid Valve: NOT REQUESTED

Switch Box: NOT REQUESTED

Positioner: NOT REQUESTED

Acc Bracket: By Fluoroseal

Dim:	A1	A2	A3	A4	V1	V2	V3	V4	C1
Ins:	9.35	12.28	7.52	3.76	2.50	2.50	5.00	6.55	1.26

Overall Height to c/l of valve:- 13.11 ins

Num bolt holes :- 4 **Bolt dia:-** 0.63 **Bolt circle dia:-** 3.87



Fluoroseal

Issued By: Fluoroseal

File Ref: Automated packages

ALL RIGHTS RESERVED

Date: 8/5/2008