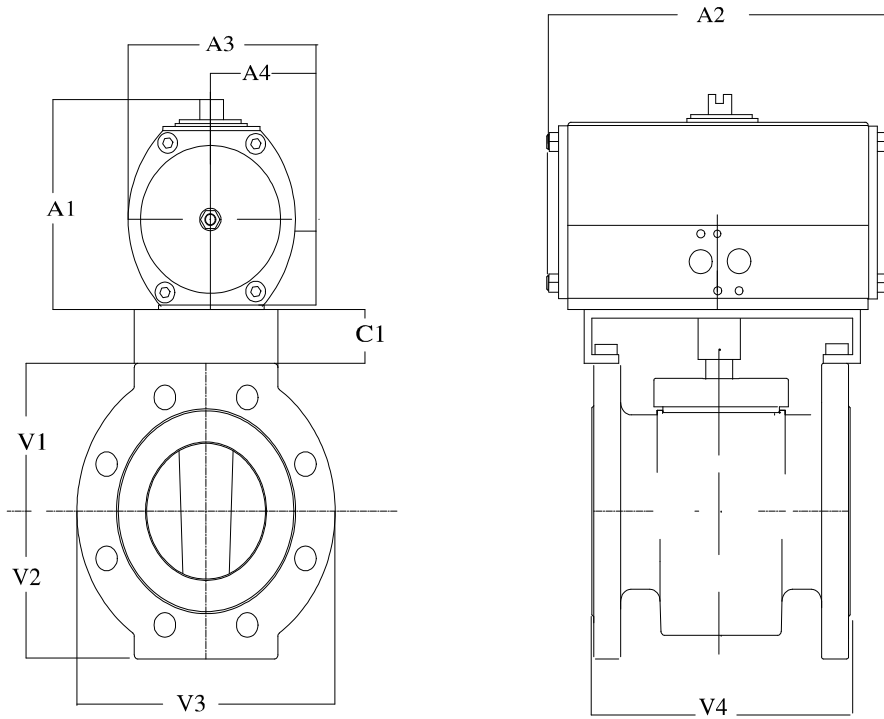


Customer

Project Name

Engineer



Product Code: 1 1/2R302/F/TSR55-WCB/316-P

Valve Type: 1 1/2 inch Fluoroseal Sleeved Plug Valve Ansi Class 300

Body: Flanged

Trims: 316

Seat/Liner: Teflon

Working Pressure: 720 psi

Actuator Type: TSR 055 F12 0 4 Fail Close / Fail Open

Actuator Mat.: Aluminium Hard Anodised

Manual Override: NOT REQUESTED

Air Supply: 60 psi

Solenoid Valve: NOT REQUESTED

Switch Box: NOT REQUESTED

Positioner: NOT REQUESTED

Acc Bracket: By Fluoroseal

Dim:	A1	A2	A3	A4	V1	V2	V3	V4	C1
Ins:	9.35	12.28	7.52	3.76	3.06	3.06	6.12	7.55	1.26

Overall Height to c/l of valve:- 13.67 ins

Num bolt holes :- 4 **Bolt dia:-** 0.87 **Bolt circle dia:-** 4.50