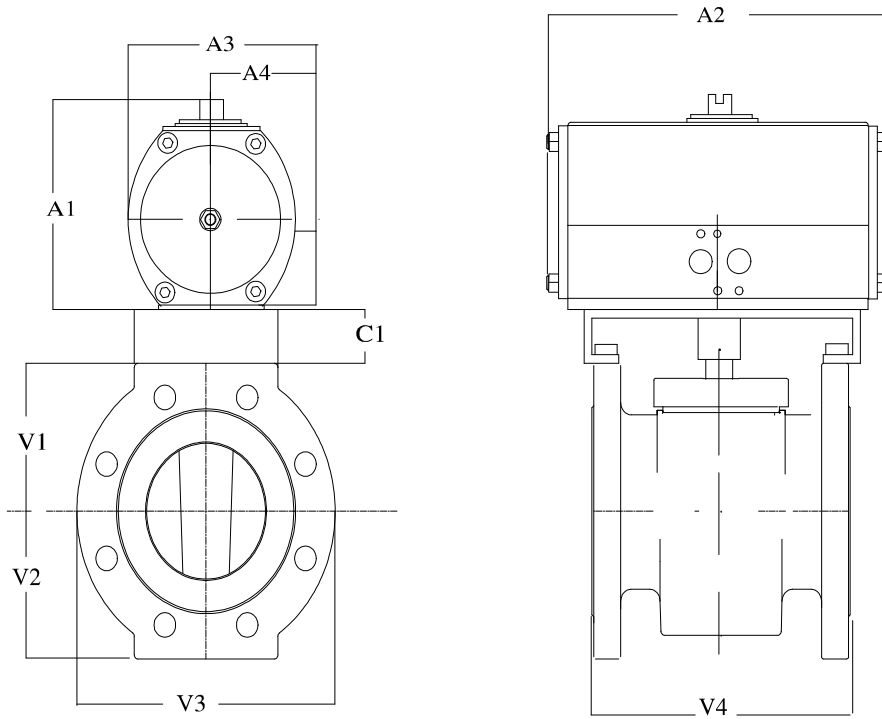


Customer

Project Name

Engineer



Product Code: 3 R152/F/TSR70-WCB/316-P

Valve Type: 3 inch Fluoroseal Sleeved Plug Valve Ansi Class 150

Body: Flanged

Trims: 316

Seat/Liner: Teflon

Working Pressure: 275 psi

Actuator Type: TSR 070 F12 0 3 Fail Close

Actuator Mat.: Aluminium Hard Anodised

Manual Override: NOT REQUESTED

Air Supply: 60 psi

Solenoid Valve: NOT REQUESTED

Switch Box: NOT REQUESTED

Positioner: NOT REQUESTED

Acc Bracket: By Fluoroseal

Dim:	A1	A2	A3	A4	V1	V2	V3	V4	C1
Ins:	9.35	13.39	7.52	3.76	3.75	2.46	7.50	8.05	1.50

Overall Height to c/l of valve:- 14.60 ins

Num bolt holes :- 4 **Bolt dia:-** 0.75 **Bolt circle dia:-** 6.00