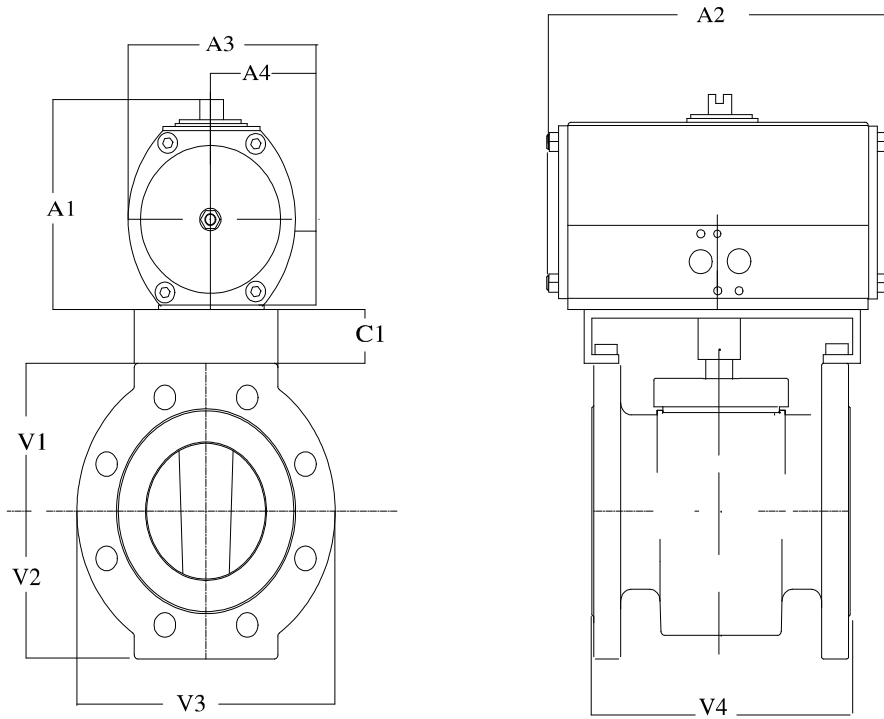


Customer

Project Name

Engineer



Product Code: 4R152/F/TSR150-WCB/316-P

Valve Type: 4 inch Fluoroseal Sleeved Plug Valve Ansi Class 150
Body: Flanged
Trims: 316
Seat/Liner: Teflon

Working Pressure: 275 psi

Actuator Type: TSR 150 F14 0 4 Fail Close / Fail Open
Actuator Mat.: Aluminium Hard Anodised

Manual Override: NOT REQUESTED

Air Supply: 60 psi

Solenoid Valve: NOT REQUESTED

Switch Box: NOT REQUESTED

Positioner: NOT REQUESTED

Acc Bracket: By Fluoroseal

| Dim: | A1 | A2 | A3 | A4 | V1 | V2 | V3 | V4 | C1 |
|------|-------|-------|-------|------|------|------|------|------|------|
| Ins: | 13.00 | 15.35 | 11.02 | 5.51 | 4.38 | 4.56 | 9.00 | 8.93 | 0.08 |

Overall Height to c/l of valve:- 17.46 ins

Num bolt holes :- 8 Bolt dia:- 0.03 Bolt circle dia:- 0.30