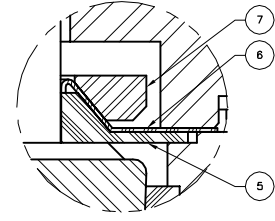
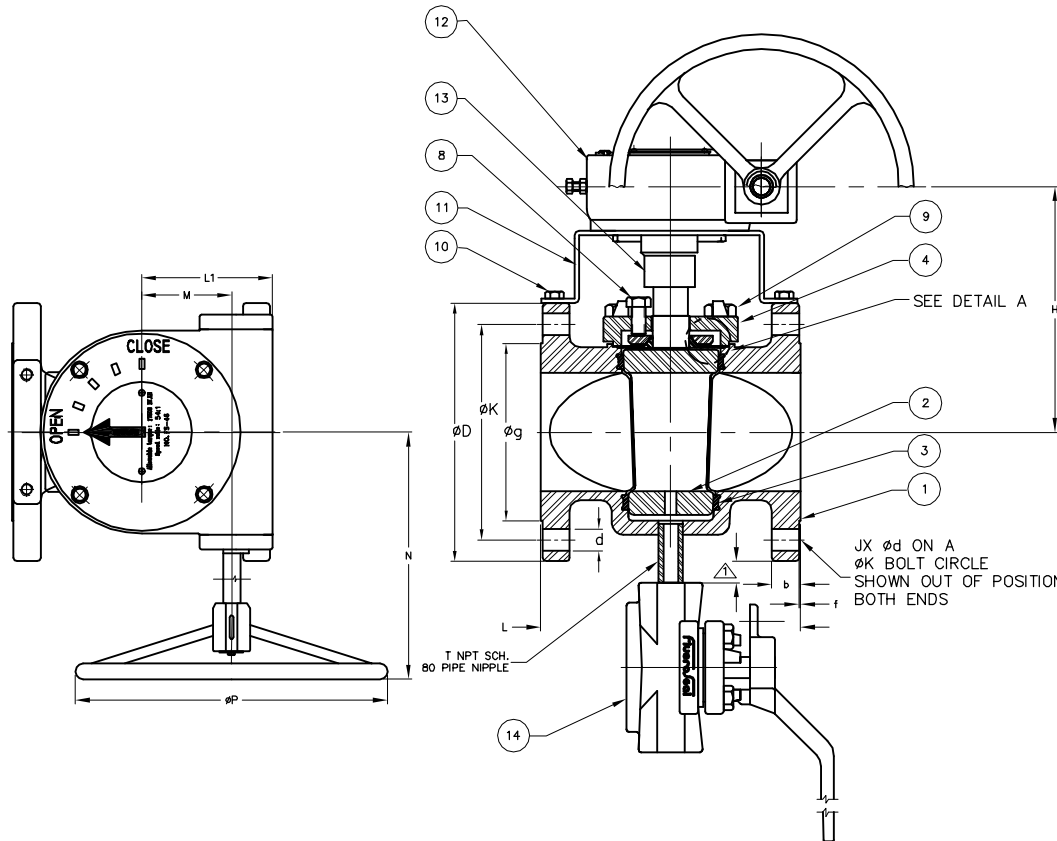


This drawing and the information herein contained is the property of Fluoroseal Specialty Valves and/or its subsidiaries and is supplied upon the express conditions that the same be returned to Fluoroseal Specialty Valves upon request. All information herein contained is to be limited as above and no warranty, as expressed or implied, or any part thereof shall be made without the written permission of Fluoroseal Specialty Valves. Acceptance of this drawing shall be deemed acceptance of the drawing and the design conditions.

BILL OF MATERIAL		
ITEM	QTY	DESCRIPTION
1	1	BODY
2	1	PLUG
3	1	SLEEVE
4	1	COVER
5	1	DELTA RING DIAPHRAGM COMBINED
6	1	METAL DIAPHRAGM
7	1	THRUST COLLAR
8	3	ADJUSTMENT BOLT
9	VAR.	COVER BOLTS
10	4	BRACKET BOLTS
11	1	BRACKET
12	1	GEAR ACTUATOR
13	1	GEAR ADAPTOR
14	1	T 152/302 SE FLUOROSEAL BLEEDER VALVE



DETAIL A



TECHNICAL DATA														
SIZE	CLASS	L	H	D	ØK	Øg	b	f	d	J	ØP	L1	M	N
4"	150	9.00	9.063	9.00	7.50	6.19	.94	0.060	0.75	8	14.50	5.125	3.750	12.500
6"	150	10.50	10.750	11.00	9.50	8.50	1.00	0.060	0.88	8	14.50	5.125	3.750	12.500
8"	150	11.50	13.000	13.50	11.75	10.63	1.13	0.060	0.88	8	19.50	6.438	4.875	16.375
10"	150	13.00	14.938	16.00	14.25	12.75	1.19	0.060	1.00	12	19.50	6.438	4.875	16.375
12"	150	14.00	15.688	19.00	17.00	15.00	1.25	0.060	1.00	12	27.50	7.938	5.063	18.688
14"	150	15.0	16.688	21.0	18.75	16.25	1.38	0.060	1.12	12	27.50	7.938	5.063	18.688
16"	150	30.0	21.250	23.50	21.25	18.50	1.44	0.060	1.12	16	27.50	7.938	5.063	18.688
18"	150	34.00	22.063	25.00	22.75	21.00	1.56	0.060	1.25	16	27.50	7.938	5.063	18.688
20"	150	36.00	23.188	27.50	25.00	23.00	1.69	0.060	1.25	20	19.688	8.750	5.750	18.685
24"	150	42.00	27.438	32.00	29.50	27.25	1.88	0.060	1.38	20	19.688	8.750	5.750	18.688

TECHNICAL DATA														
SIZE	CLASS	L	H	D	ØK	Øg	b	f	d	J	ØP	L1	M	N
4"	300	12.00	9.063	10.00	7.88	6.19	1.25	0.060	0.88	8	14.50	5.125	3.750	12.500
6"	300	15.88	10.750	12.50	10.63	8.50	1.44	0.060	0.88	12	14.50	5.125	3.750	12.500
8"	300	16.50	13.000	15.00	13.00	10.63	1.63	0.060	1.00	12	19.50	6.438	4.875	16.375
10"	300	18.00	14.938	17.50	15.25	12.75	1.88	0.060	1.13	16	19.50	6.438	4.875	16.375
12"	300	19.75	15.688	20.50	17.75	15.00	2.00	0.060	1.25	16	27.50	7.938	5.063	18.688
14"	300	30.0	16.688	23.0	20.25	16.25	2.12	0.060	1.25	20	27.50	7.938	5.063	18.688
16"	300	33.0	21.250	25.5	22.50	18.50	2.25	0.060	1.38	20	27.50	7.938	5.063	18.688

# DCN - 0226				16/11/04	B.C	S.E
REV	DESCRIPTION	DATE	DFTR	APVD		
REVISION						

BOTTOM OF THE VALVE SHOWN WITH BLEEDER

- NOTE:
1. Δ : Dimension to be specified by customer.
 2. Dimension are in inches.
 3. Dimension L is as per ASME B16.10.
 4. Dimension D,K,g,b,f,d and J are as per ASME B16.5.
 5. The shell and closure pressure tests are as per ASME B16.34.
 6. Casting must meet visual inspection requirements of MSS-SP-55, regardless of material, acceptability will be based on reference photographs in annex A. Levels a & b are acceptable.

TECHNICAL DATA	
VALVE SIZE	T (BLEEDER VALVE SIZE)
4"	1/2" -NPT
6"-8"	3/4" -NPT
10"-24"	1" -NPT

This drawing and the information herein contained is the property of Fluoroseal Specialty Valves and/or its subsidiaries and is supplied upon the express conditions that the same be returned to Fluoroseal Specialty Valves upon request. All information herein contained is to be limited as above and no warranty, as expressed or implied, or any part thereof shall be made without the written permission of Fluoroseal Specialty Valves. Acceptance of this drawing shall be deemed acceptance of the drawing and the design conditions.

Fluoroseal PRODUCT TRADE

6418 Transcanadian Highway W.,
Montreal QC, H4T 1X4
TEL: (514)739-0220
FAX: (514)739-5452

TITLE: FLUOROSEAL PLUG VALVE
4" TO 24" 152/302F STANDARD CONFIG. ASSY.
W/ DOUBLE BLOCK & BLEED & GEAR ACTUATOR

SIZE	DWG NO.	REV
D	FPS-152-302-F-STD-DBB-13-28	A

DRAWN BY: B.CHEN
CHKD BY: S.ELFASHNY

DATE: 16/11/2004
DATE: 16/11/2004

SCALE: N.T.S.
SHEET: 1/1

THIRD ANGLE PROJECTION DO NOT SCALE DRAWING