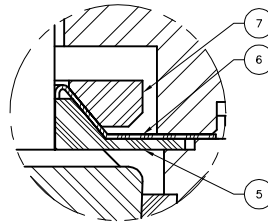
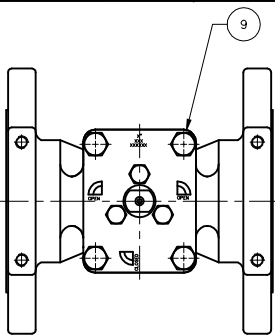
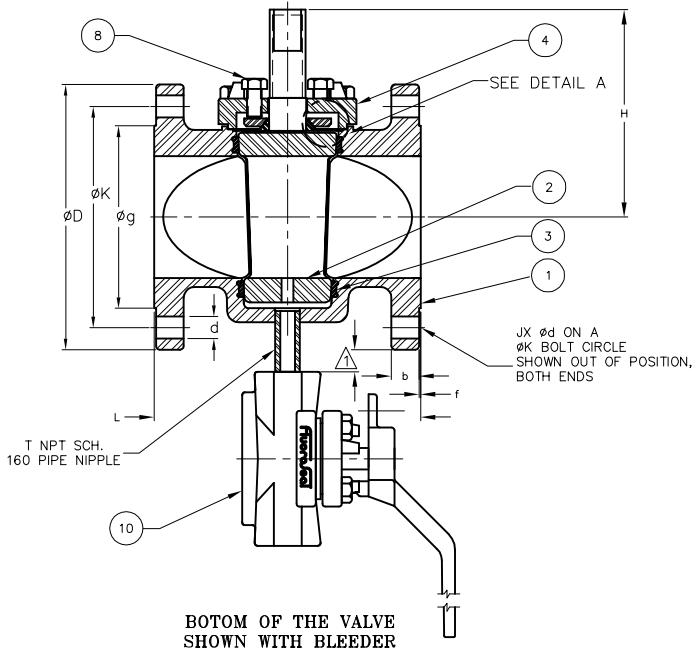


This drawing and the information herein contained is the property of FluoroSeal Specialty Valves and/or its subsidiaries and is supplied upon the express conditions that the same be returned to FluoroSeal Specialty Valves upon request. All information herein contained is to be treated as secret and confidential; no reproduction of this drawing or any part thereof shall be made without the written permission of FluoroSeal Specialty Valves; acceptance of this drawing shall be deemed acceptance of the foregoing conditions.



DETAIL A

BILL OF MATERIAL		
ITEM	QTY	DESCRIPTION
1	1	BODY
2	1	PLUG
3	1	SLEEVE
4	1	COVER
5	1	COMBINED DIAPHRAGM/DELTA RING
6	1	METAL DIAPHRAGM
7	1	THRUST COLLAR
8	3	ADJUSTMENT BOLT
9	VAR.	COVER BOLTS
10	1	T 602 SE BLEEDER VALVE



TECHNICAL DATA											
SIZE	CLASS	L	H	ØD	ØK	Øg	b	f	d	J	T
2"	600	11.50	4.25	6.50	5.00	3.62	1.00	.25	.75	8	1/2"-NPT
2 1/2"	600	14.00	4.88	8.25	5.88	4.12	1.25	.25	.88	8	1/2"-NPT
3"	600	14.00	4.88	8.25	6.62	5.00	1.25	.25	.88	8	1/2"-NPT
4"	600	17.00	5.75	10.75	8.50	6.19	1.50	.25	1.00	8	1/2"-NPT
6"	600	22.00	7.00	14.00	11.50	8.50	1.88	.25	1.12	12	3/4"-NPT
8"	600	26.00	8.88	16.50	13.75	10.63	2.19	.25	1.25	12	3/4"-NPT
10"	600	31.00	10.88	20.00	17.00	12.75	2.50	.25	1.38	16	1"-NPT
12"	600	33.00	10.25	22.00	19.25	15.00	2.62	.25	1.38	20	1"-NPT
14"	600	35.00	10.25	23.75	20.75	16.25	2.75	.25	1.50	20	1"-NPT
16"	600	39.00	15.63	27.00	23.75	18.50	3.00	.25	1.63	20	1"-NPT
18"	600	43.00	15.63	29.25	25.75	21.00	3.25	.25	1.75	20	1"-NPT
20"	600	47.00	22.63	32.00	28.50	23.00	3.50	.25	1.75	24	1"-NPT
24"	600	55.00	22.63	37.00	33.00	27.25	4.00	.25	2.00	24	1"-NPT

REV	DESCRIPTION	DATE	DFTR	APVD
0	SEE #NPD-0566	08/05/21	K.D.	S.E.
REVISION				

- NOTE:
- Dimension to be specified by customer.
 - Dimension are in inches.
 - Dimension L is as per ASME B16.10.
 - Dimension D,K,g,b,f,d and J are as per ASME B16.5.
 - The shell and closure pressure tests are as per ASME B16.34.
 - Casting must meet visual inspection requirements of MSS-SP-55, regardless of material, acceptability will be based on reference photographs in annex A. Levels a & b are acceptable.

This drawing and the information herein contained is the property of FluoroSeal Specialty Valves and/or its subsidiaries and is supplied upon the express conditions that the same be returned to FluoroSeal Specialty Valves upon request; all information herein contained is to be treated as secret and confidential; no reproduction of this drawing or any part thereof shall be made without the written permission of FluoroSeal Specialty Valves; acceptance of this drawing shall be deemed acceptance of the foregoing conditions.

FluoroSeal SPECIALTY VALVES

1875, 46e Avenue Lachine
 Montreal QC, H8T 2N8
 TEL: (514)739-0220
 FAX: (514)739-5452

TITLE:
**FLUROSEAL PLUG VALVE
 2" TO 24" 602F ASSEMBLY
 DOUBLE BLOCK & BLEED, BARE STEM CONFIG.**

SIZE A	DWG NO. FPS-602-F-STD-B-DBB-09-24	REV 0
DRAWN BY: K.DEBCHI	DATE: 2008/05/21	SCALE: N.T.S.
CHKD BY: S.ELFASHNY	DATE: 2008/05/21	SHEET: 1/1

THIRD ANGLE PROJECTION DO NOT SCALE DRAWING