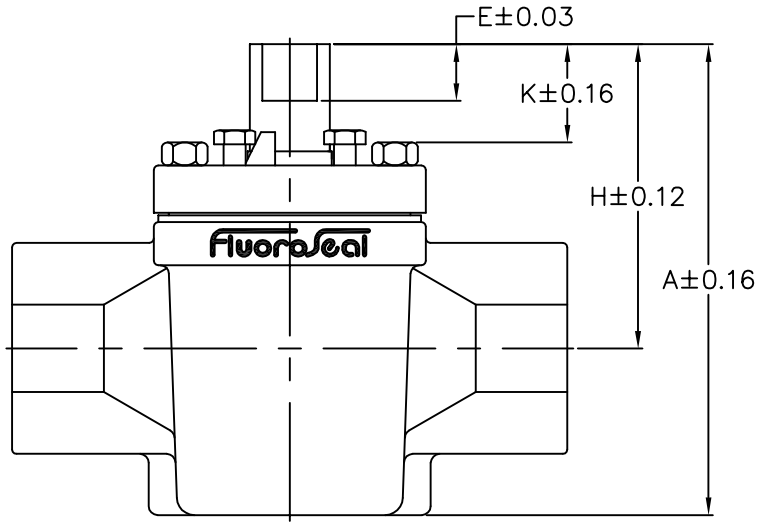


PLUG STEM DETAIL
SCALE: N.T.S.



SIZE	CLASS	L	H	A	B	C
1/2"	150/300	3.93	2.41	3.44	1.38	0.314-0.318
3/4"	150/300	3.93	2.41	3.44	1.38	0.314-0.318
1"	150/300	5.50	3.00	4.75	1.64	0.429-0.433
1 1/2"	150/300	6.30	3.67	5.75	1.78	0.616-0.620
2"	150/300	7.87	4.24	6.60	2.10	0.754-0.758

SIZE	CLASS	ØD	E	F	G	J	K	M	ØN
1/2"	150/300	0.481-0.485	0.57	1.42	1.08	.3125-18 UNC	0.98	2.02	1.65
3/4"	150/300	0.481-0.485	0.57	1.42	1.08	.3125-18 UNC	0.98	2.02	1.65
1"	150/300	0.626-0.630	0.49	1.70	1.22	.375-16 UNC	1.00	2.52	2.12
1 1/2"	150/300	0.862-0.866	0.63	2.39	1.58	.375-16 UNC	1.16	2.79	2.50
2"	150/300	1.118-1.122	0.78	2.98	1.50	.4375-14 UNC	1.35	3.33	3.50

REV	DESCRIPTION	DATE	DFTR	APVD
C	SEE # ECN-0926	11/07/14	A.Z.	S.E.
B	(DIM. CHANGE) # DCN-0147	03/22/04	S.C.	S.E.
A	SEE D.C.N. # DCN-0060	29/07/02	C.F.	N.P.
REVISION				

This drawing and the information herein contained is the property of FluoroSeal Specialty Valves and/or its subsidiaries and is supplied upon the express condition that the same be returned to FluoroSeal Specialty Valves upon receipt of information herein contained is to be treated as secret and confidential; no reproduction of this drawing or any part thereof shall be made without the written permission of FluoroSeal Specialty Valves; acceptance of this drawing shall be deemed acceptance of the foregoing conditions.

FluoroSeal SPECIALTY VALVES
1875, 46e Avenue, Lachine, Quebec, Canada H8T2N8
TEL: (514)739-0220
FAX: (514)739-5452

PROJECT NO:	-			TITLE:	FLUROSEAL PLUG VALVE ACTUATOR MOUNTING DIMENSIONS, 152/302 SE & SW END VALVES		
PROJECT NAME:	-			SIZE A	DWG NO.	AMD-02	REV C
P.O. NO:	-			DRAWN BY:	ANNA.Z	DATE:	2011/07/14
ITEM NO:	-			CHKD BY:	SELFASHNY	DATE:	2011/07/14
CUSTOMER NAME:	-			SCALE:	N.T.S.		
				THIRD ANGLE PROJECTION DO NOT SCALE DRAWING			