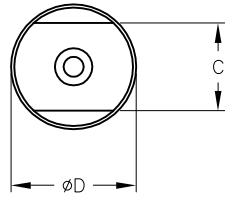
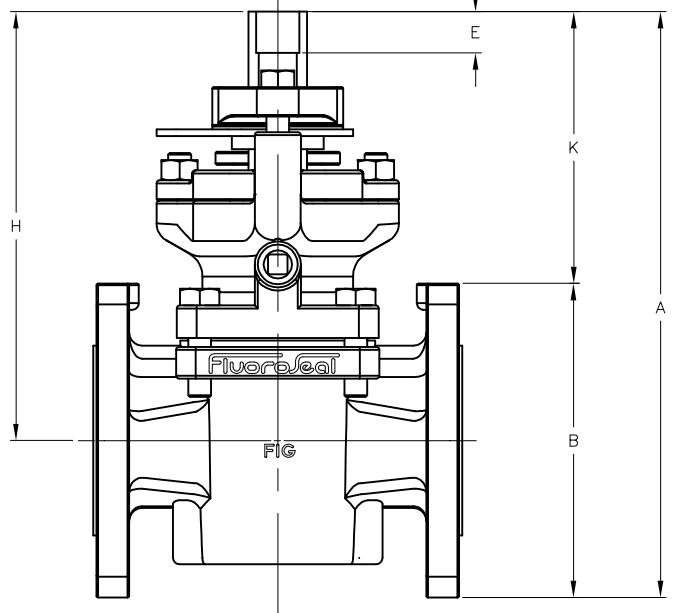
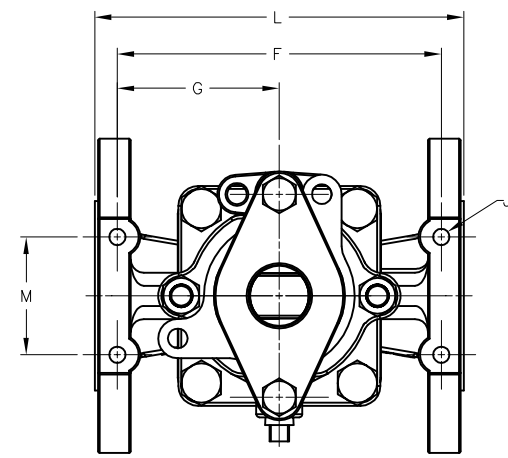


This drawing and the information herein contained is the property of FluoroSeal Specialty Valves and/or its subsidiaries and is supplied upon the express conditions that the same be returned to FluoroSeal Specialty Valves upon request; all information herein contained is to be treated as secret and confidential; no reproduction of this drawing or any part thereof shall be made without the written permission of FluoroSeal Specialty Valves; acceptance of this drawing shall be deemed acceptance of the foregoing conditions.



PLUG STEM DETAIL
SCALE NONE



SIZE	CLASS	L	H	A	B	C	øD	E	F	G	J (H)	K	M
1/2"	150	4.25	6.48	8.23	3.50	.435/.429	.63	.50	3.75	1.88	.250-20 UNC ∇ .38	4.73	1.38
	300	5.50	6.48	8.35	3.75	.435/.429	.63	.50	4.88	2.44	.250-20 UNC ∇ .38	4.60	1.63
	600	6.50	6.48	8.35	3.75	.435/.429	.63	.50	5.44	2.72	.250-20 UNC ∇ .38	4.60	1.63
3/4"	150	4.63	6.48	8.42	3.88	.435/.429	.63	.50	4.13	2.06	.250-20 UNC ∇ .38	4.54	1.50
	300	6.00	6.48	8.79	4.62	.435/.429	.63	.50	5.32	2.66	.250-20 UNC ∇ .38	4.17	1.75
	600	7.54	6.48	8.79	4.62	.435/.429	.63	.50	6.38	3.19	.250-20 UNC ∇ .38	4.17	1.75
1"	150	5.00	6.91	9.20	4.59	.438/.432	.63	.50	4.19	2.09	.3125-18 UNC ∇ .50	4.61	1.75
	300	6.50	6.91	9.35	4.88	.438/.432	.63	.50	5.69	2.84	.3125-18 UNC ∇ .50	4.47	1.75
	600	8.54	6.91	9.35	4.88	.438/.432	.63	.50	7.25	3.63	.3125-18 UNC ∇ .50	4.47	1.75
1 1/2"	150	6.50	7.21	9.71	5.00	.623/.618	.88	.632	5.63	2.81	.3125-18 UNC ∇ .50	4.71	1.75
	300	7.50	7.21	10.27	6.12	.623/.618	.88	.632	6.56	3.28	.3125-18 UNC ∇ .50	4.15	1.75
	600	9.54	7.21	10.27	6.12	.623/.618	.88	.632	8.13	4.06	.3125-18 UNC ∇ .50	4.15	1.75
2"	150	7.00	8.20	11.20	6.00	.761/.756	1.13	.79	6.19	3.09	.3125-18 UNC ∇ .50	5.20	2.25
	300	8.50	8.20	11.45	6.50	.761/.756	1.13	.79	7.50	3.75	.3125-18 UNC ∇ .50	4.95	2.25
	600	11.55	8.20	11.45	6.50	.761/.756	1.13	.79	10.00	5.00	.3125-18 UNC ∇ .50	4.95	2.25
2 1/2"	150	8.00	8.76	12.51	7.50	.761/.756	1.13	.79	7.13	3.56	.375-16 UNC ∇ .56	5.01	3.50
	300	11.13	8.76	12.88	8.25	.761/.756	1.13	.79	9.88	4.94	.375-16 UNC ∇ .56	4.63	3.50
	600	14.04	8.76	12.88	8.25	.761/.756	1.13	.79	12.25	6.13	.375-16 UNC ∇ .56	4.63	3.50
3"	150	9.00	10.31	14.81	9.00	.899/.894	1.25	.99	8.00	4.00	.4375-14 UNC ∇ .75	5.81	4.00
	300	12.00	10.31	15.31	10.00	.899/.894	1.25	.99	10.69	5.34	.4375-14 UNC ∇ .75	5.31	4.00
	600	17.00	10.31	15.69	10.75	.899/.894	1.25	.99	15.00	7.50	.4375-14 UNC ∇ .75	4.94	4.00
6"	150	10.50	15.70	21.20	11.00	1.252/1.246	2.00	1.38	9.44	4.72	.4375-14 UNC ∇ 1.00	10.20	4.00
	300	15.88	15.70	21.95	12.50	1.252/1.246	2.00	1.38	14.38	7.19	.4375-14 UNC ∇ 1.00	9.45	4.00
	600	22.04	15.70	22.70	14.00	1.252/1.246	2.00	1.38	19.63	9.81	.4375-14 UNC ∇ 1.00	8.70	4.00
8"	150	11.50	19.38	26.13	13.50	1.252/1.246	2.50	1.38	10.25	5.13	.500-13 UNC ∇ 1.00	12.63	6.00
	300	16.50	19.38	26.88	15.00	1.252/1.246	2.50	1.38	14.67	7.33	.500-13 UNC ∇ 1.00	11.88	6.00
	600	26.00	19.38	27.63	16.50	1.252/1.246	2.50	1.38	23.25	11.63	.500-13 UNC ∇ 1.00	11.13	6.00
10"	150	14.00	21.60	31.10	19.00	1.653/1.647	3.25	2.00	12.52	6.26	.500-13 UNC ∇ 1.00	12.10	6.00
	300	19.75	21.60	31.85	20.50	1.653/1.647	3.25	2.00	17.57	8.79	.500-13 UNC ∇ .75	11.35	6.00
	600	33.00	21.60	32.60	22.00	1.653/1.647	3.25	2.00	30.00	15.00	.500-13 UNC ∇ 1.00	10.60	6.00

A	SEE #ECN-0552	07/11/12	K.D.	S.E.
0	NPD-0373	07/05/10	X.S.	S.E.
REV	DESCRIPTION	DATE	DFTR	APVD
REVISION				

UNLESS OTHERWISE SPECIFIED DIMENSIONS ARE IN INCHES REMOVE ALL BURRS AND SHARP EDGES TOLERANCES: ANGLES: ± 1/2° FINISH: 125/ DECIMALS: METRIC EQUIVALENT: .XX ±0.020 X ±0.25 .XXX ±0.005 .XX ±0.13

TITLE: **FLUOROSEAL SEVERE SERVICE PLUG VALVE ACTUATOR MOUNTING DIMENSIONS, FLANGE END VALVE**

SIZE A DWG NO. **AMD-04** REV A

DRAWN BY: K.DEBCHI DATE: 2007/11/12 SCALE: N.T.S.

CHECKED BY: SELFASHNY DATE: 2007/11/12 SHEET: 1/2

THIRD ANGLE PROJECTION DO NOT SCALE DRAWING

FluoroSeal SPECIALTY VALVES

6418 Transcanadian Highway W., Montreal QC, H4T 1X4 TEL: (514)739-0220 FAX: (514)739-5452

SIZE	CLASS	L	H	A	B	C	∅D	E	F	G	J (H)	K	M
1/2"	150	4.25	6.48	8.23	3.50	.435/.429	.63	.50	3.75	1.88	.250-20 UNC ∇.38	4.73	1.38
	300	5.50	6.48	8.35	3.75	.435/.429	.63	.50	4.88	2.44	.250-20 UNC ∇.38	4.60	1.63
	600	6.50	6.48	8.35	3.75	.435/.429	.63	.50	5.44	2.72	.250-20 UNC ∇.38	4.60	1.63
3/4"	150	4.63	6.48	8.42	3.88	.435/.429	.63	.50	4.13	2.06	.250-20 UNC ∇.38	4.54	1.50
	300	6.00	6.48	8.79	4.62	.435/.429	.63	.50	5.32	2.66	.250-20 UNC ∇.38	4.17	1.75
	600	7.54	6.48	8.79	4.62	.435/.429	.63	.50	6.38	3.19	.250-20 UNC ∇.38	4.17	1.75
1"	150	5.00	6.91	9.20	4.59	.438/.432	.63	.50	4.19	2.09	.3125-18 UNC ∇.50	4.61	1.75
	300	6.50	6.91	9.35	4.88	.438/.432	.63	.50	5.69	2.84	.3125-18 UNC ∇.50	4.47	1.75
	600	8.54	6.91	9.35	4.88	.438/.432	.63	.50	7.25	3.63	.3125-18 UNC ∇.50	4.47	1.75
1 1/2"	150	6.50	7.21	9.71	5.00	.623/.618	.88	.632	5.63	2.81	.3125-18 UNC ∇.50	4.71	1.75
	300	7.50	7.21	10.27	6.12	.623/.618	.88	.632	6.56	3.28	.3125-18 UNC ∇.50	4.15	1.75
	600	9.54	7.21	10.27	6.12	.623/.618	.88	.632	8.13	4.06	.3125-18 UNC ∇.50	4.15	1.75
2"	150	7.00	8.20	11.20	6.00	.761/.756	1.13	.79	6.19	3.09	.3125-18 UNC ∇.50	5.20	2.25
	300	8.50	8.20	11.45	6.50	.761/.756	1.13	.79	7.50	3.75	.3125-18 UNC ∇.50	4.95	2.25
	600	11.55	8.20	11.45	6.50	.761/.756	1.13	.79	10.00	5.00	.3125-18 UNC ∇.50	4.95	2.25
2 1/2"	150	8.00	8.76	12.51	7.50	.761/.756	1.13	.79	7.13	3.56	.375-16 UNC ∇.56	5.01	3.50
	300	11.13	8.76	12.88	8.25	.761/.756	1.13	.79	9.88	4.94	.375-16 UNC ∇.56	4.63	3.50
3"	150	8.00	8.76	12.51	7.50	.761/.756	1.13	.79	7.13	3.56	.375-16 UNC ∇.56	5.01	3.50
	300	11.13	8.76	12.88	8.25	.761/.756	1.13	.79	9.88	4.94	.375-16 UNC ∇.56	4.63	3.50
	600	14.04	8.76	12.88	8.25	.761/.756	1.13	.79	12.25	6.13	.375-16 UNC ∇.56	4.63	3.50
4"	150	9.00	10.31	14.81	9.00	.899/.894	1.25	.99	8.00	4.00	.4375-14 UNC ∇.75	5.81	4.00
	300	12.00	10.31	15.31	10.00	.899/.894	1.25	.99	10.69	5.34	.4375-14 UNC ∇.75	5.31	4.00
	600	17.00	10.31	15.69	10.75	.899/.894	1.25	.99	15.00	7.50	.4375-14 UNC ∇.75	4.94	4.00
6"	150	10.50	15.70	21.20	11.00	1.252/1.246	2.00	1.38	9.44	4.72	.4375-14 UNC ∇1.00	10.20	4.00
	300	15.88	15.70	21.95	12.50	1.252/1.246	2.00	1.38	14.38	7.19	.4375-14 UNC ∇1.00	9.45	4.00
	600	22.04	15.70	22.70	14.00	1.252/1.246	2.00	1.38	19.63	9.81	.4375-14 UNC ∇1.00	8.70	4.00
8"	150	11.50	19.38	26.13	13.50	1.252/1.246	2.50	1.38	10.25	5.13	.500-13 UNC ∇1.00	12.63	6.00
	300	16.50	19.38	26.88	15.00	1.252/1.246	2.50	1.38	14.67	7.33	.500-13 UNC ∇1.00	11.88	6.00
	600	26.00	19.38	27.63	16.50	1.252/1.246	2.50	1.38	23.25	11.63	.500-13 UNC ∇1.00	11.13	6.00
	900	29.04	19.38	28.63	18.50	1.252/1.246	2.50	1.38	26.63	13.31	.500-13 UNC ∇1.00	10.13	6.00
10"	150	13.00	20.91	28.91	16.00	1.252/1.246	2.50	1.38	11.63	5.81	.500-13 UNC ∇1.00	12.91	6.00
	300	18.00	20.91	29.66	17.50	1.252/1.246	2.50	1.38	15.91	7.96	.500-13 UNC ∇.75	12.16	6.00
12"	150	14.00	21.60	31.10	19.00	1.653/1.647	3.25	2.00	12.52	6.26	.500-13 UNC ∇1.00	12.10	6.00
	300	19.75	21.60	31.85	20.50	1.653/1.647	3.25	2.00	17.57	8.79	.500-13 UNC ∇.75	11.35	6.00
	600	33.00	21.60	32.60	22.00	1.653/1.647	3.25	2.00	30.00	15.00	.500-13 UNC ∇1.00	10.60	6.00