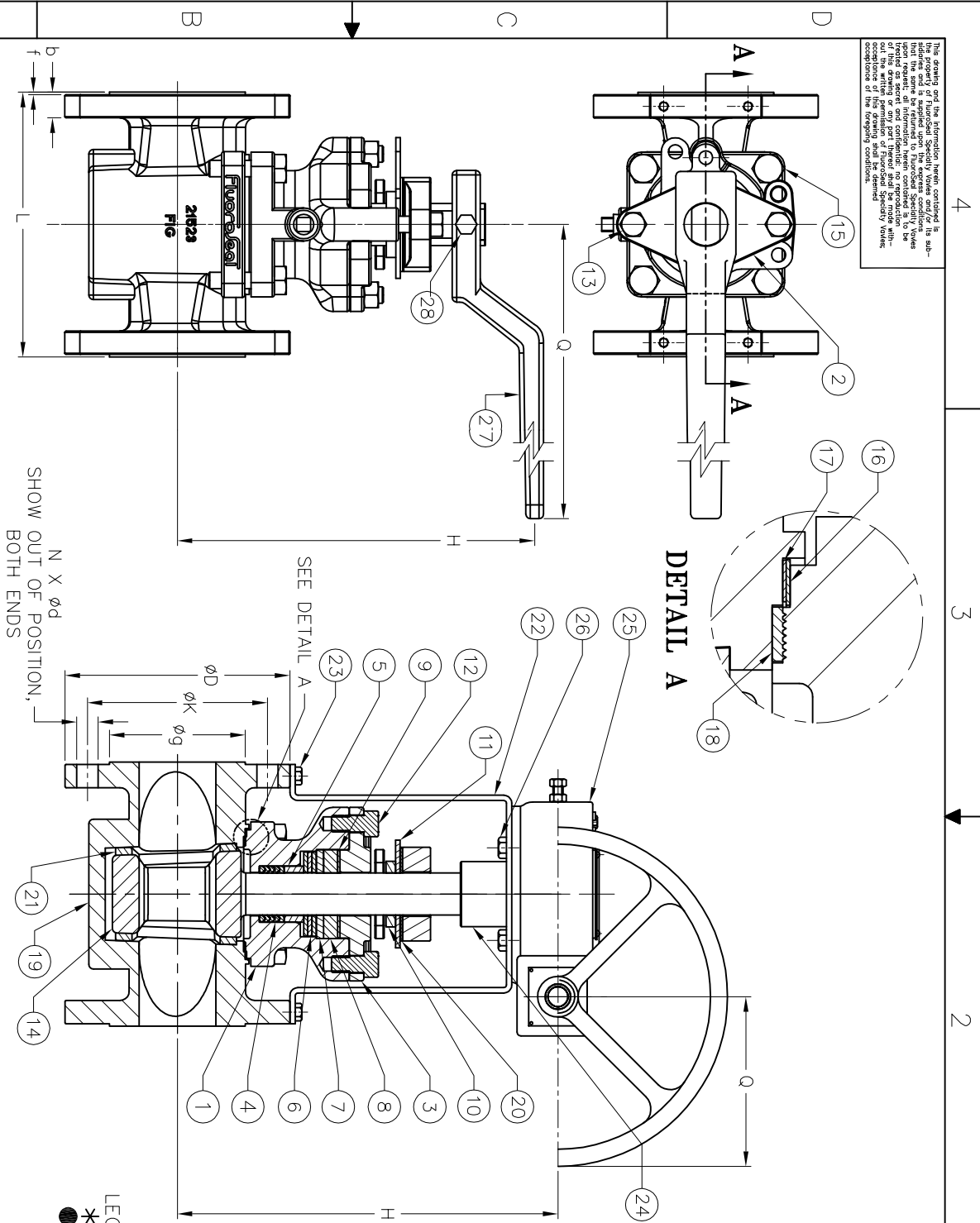


The drawing and the information herein contained is the property of Fluoroseal Specialty Valves and/or its subsidiaries. It is to be used only for the specific purpose for which it was prepared and is not to be used for any other purpose. Fluoroseal Specialty Valves and/or its subsidiaries shall not be held responsible for any damage or injury resulting from the use of this drawing for any purpose other than that for which it was prepared. The drawing shall be made with the understanding that it is not to be used for the manufacture of parts without the written permission of Fluoroseal Specialty Valves and/or its subsidiaries. The drawing shall be deemed accurate in the absence of any other information.



N X  $\phi$ D  
SHOW OUT OF POSITION,  
BOTH ENDS

SEE DETAIL A

**SECTION A-A**  
**W / GEAR**

BILL OF MATERIAL	
NO. QTY	DESCRIPTION
1	BONNET
2	PLUG ADJUSTER
3	PACKING GLAND
4	PACKING SET
5	FOLLOWER
6	VAR BELLEVILLE WASHER
7	SEALWASHER
8	TOP PACKING
9	SEAL RETAINER
10	SHAFT ADAPTER
11	TRAVEL STOP/LOCK COMBINATION
12	PACKING BOLT
13	PLUG BOLT
14	PLUG
15	VAR. BONNET BOLT
16	BODYSEAL RETAINER
17	BODYSEAL
18	BODYSEAL
19	BODY
20	THRUSTWASHER
21	SLEEVE
22	MOUNTING BRACKET
23	MOUNTING BRACKET BOLT
24	COUPLING
25	GEAR OPERATOR
26	ACTUATOR BOLT
27	WRENCH
28	WRENCH BOLT

LEGEND:  
\* FOR USE WITH ACTUATOR ONLY.  
● FOR USE WITH WRENCH ONLY.

REV	DESCRIPTION	DATE	DFTR	APPD
A	SEE #EON-0514	08/01/16	K.D.	S.E.
0	SEE #NPD-0332	06/11/02	X.S.	A.R.

TITLE: FLUOROSEAL SEVERE SERVICE PLUG VALVE  
 1/2" TO 14" CLASS 150/300/600  
 ASSEMBLY  
 SIZE: FPS-152-302-602-F-SS-05-19 A  
 DWS NO. 6418  
 DRAWN BY: K.DEBCHI DATE: 2008/01/16 SCALE: N.T.S.  
 CHKD BY: SELF/SASHNY DATE: 2008/01/16 SHEET: 1/2  
 THIRD ANGLE PROJECTION DO NOT SCALE DRAWING

This drawing and the information herein contained is the property of Fluoroseal Specialty Valves and/or its subsidiaries. It is to be used only for the specific purpose for which it was prepared and is not to be used for any other purpose. Fluoroseal Specialty Valves and/or its subsidiaries shall not be held responsible for any damage or injury resulting from the use of this drawing for any purpose other than that for which it was prepared. The drawing shall be made with the understanding that it is not to be used for the manufacture of parts without the written permission of Fluoroseal Specialty Valves and/or its subsidiaries. The drawing shall be deemed accurate in the absence of any other information.

**Fluoroseal** SPECIALTY VALVES  
 6418 Transconcordia Highway W.,  
 Montreal QC, H4T 1X4  
 TEL: (514) 739-0220  
 FAX: (514) 739-5452

The drawing and the information herein contained is the property of Fluoroseal Specialty Valves and/or its subsidiaries. It is to be used only for the specific purpose for which it was prepared and is not to be used for any other purpose. The user assumes all responsibility for the use of this drawing and the information herein contained. The user shall be held responsible for the accuracy of the information herein contained and for the acceptance of this drawing and the information herein contained under the conditions of the drawing conditions.

**SEVERE SERVICE DATA SHEET**

NOMINAL SIZE CLASS	SEVERE SERVICE DATA SHEET											
	L	H	D	K	g	b	f	d	N	Q		
LEVER	1/2"	150	4.25	8.09	3.50	2.38	1.38	0.38	0.06	0.63	4	9.00
	3/4"	150	4.62	8.09	2.75	1.68	0.41	0.06	0.63	4	9.00	
	1"	150	5.00	8.50	4.25	3.13	2.00	0.44	0.06	0.63	4	9.00
	1-1/2"	150	6.50	8.88	5.00	3.88	2.88	0.56	0.06	0.63	4	14.25
EG	2"	150	7.00	10.25	6.00	4.75	3.63	0.63	0.06	0.75	4	16.50
	2-1/2"	150	8.00	10.50	7.50	5.50	4.13	0.75	0.06	0.75	4	16.50
	3"	150	8.00	10.50	7.50	6.00	5.00	0.75	0.06	0.75	4	16.50
	4"	150	9.00	12.50	9.00	7.50	6.19	0.94	0.06	0.75	8	23.63
LEVER	4"	150	9.00	13.75	9.00	7.50	6.19	0.94	0.06	0.75	8	7.25
	6"	150	10.50	20.25	11.00	9.50	8.50	1.00	0.06	0.88	8	7.25
	8"	150	11.50	23.25	13.50	11.75	10.63	1.13	0.06	0.88	8	9.75
	10"	150	13.00	24.81	16.00	14.25	12.75	1.19	0.06	1.00	12	13.75
LEVER	12"	150	14.00	23.25	19.00	17.00	15.00	1.25	0.06	1.00	12	13.75
	14"	150	15.00	23.25	21.00	18.75	16.25	1.38	0.06	1.12	12	13.75

LEVER	1/2"	300	5.50	8.09	3.75	2.63	1.38	0.56	0.06	0.63	4	9.00
	3/4"	300	6.00	8.09	4.63	3.25	1.68	0.63	0.06	0.75	4	9.00
	1"	300	6.50	8.50	4.88	3.50	2.00	0.69	0.06	0.75	4	9.00
	1-1/2"	300	7.50	8.88	6.13	4.50	2.88	0.81	0.06	0.88	4	14.25
EG	2"	300	8.50	10.25	6.50	5.00	3.63	0.88	0.06	0.75	8	16.50
	2-1/2"	300	11.13	10.50	8.25	5.88	4.13	1.13	0.06	0.88	8	16.50
	3"	300	11.13	10.50	8.25	6.63	5.00	1.13	0.06	0.88	8	16.50
	4"	300	12.00	12.25	10.00	7.88	6.19	1.25	0.06	0.88	8	7.25
LEVER	4"	300	12.00	13.75	10.00	7.88	6.19	1.25	0.06	0.88	8	7.25
	6"	300	15.88	20.25	12.50	10.63	8.50	1.44	0.06	0.88	12	7.25
	8"	300	16.50	23.25	15.00	13.00	10.63	1.63	0.06	1.00	12	9.75
	10"	300	18.00	24.81	17.50	15.25	12.75	1.88	0.06	1.13	16	9.75
LEVER	12"	300	19.75	23.25	20.50	17.75	15.00	2.00	0.06	1.25	16	13.75
	14"	300	30.00	23.25	23.00	20.25	16.25	2.12	0.06	1.25	20	13.75

LEVER	1/2"	600	6.50	8.09	3.75	2.63	1.38	0.62	0.25	0.63	4	9.00
	3/4"	600	7.50	8.09	4.63	3.25	1.68	0.69	0.25	0.75	4	9.00
	1"	600	8.50	8.50	4.88	3.50	2.00	0.75	0.25	0.75	4	9.00
	1-1/2"	600	9.50	8.88	6.13	4.50	2.88	0.94	0.25	0.88	4	14.25
EG	2"	600	11.50	10.25	6.50	5.00	3.63	1.06	0.25	0.75	8	16.50
	2-1/2"	600	14.00	10.50	8.25	5.88	4.12	1.31	0.25	0.88	8	16.50
	3"	600	14.00	10.50	8.25	6.63	5.00	1.31	0.25	0.88	8	16.50
	4"	600	17.00	12.25	10.75	8.50	6.19	1.56	0.25	1.00	8	23.63
LEVER	4"	600	17.00	13.75	10.75	8.50	6.19	1.56	0.25	1.00	8	7.25
	6"	600	22.00	20.25	14.00	11.50	8.50	1.94	0.25	1.12	12	7.25
	8"	600	26.00	23.25	16.50	13.75	10.63	2.25	0.25	1.25	12	9.75
	10"	600	31.00	24.81	20.00	17.00	12.75	2.56	0.25	1.38	16	9.75
LEVER	12"	600	33.00	23.25	22.00	19.25	15.00	2.68	0.25	1.38	20	13.75
	14"	600	35.00	23.25	23.75	20.75	16.25	2.81	0.25	1.50	20	13.75

NOTE:  
1. (EG) ENCLOSED GEAR OPERATOR.

REV	DESCRIPTION	DATE	DATE	DFT	APP
0					
A					

SEE #ECON-0514 08/01/16 K.D. S.E.  
SEE #NPD-0332 06/11/02 X.S. A.R.

**Fluoroseal** SPECIALTY VALVES  
6418 Transcanadian Highway W.,  
Montreal QC, H4T 1X4  
TEL: (514) 739-0220  
FAX: (514) 739-5452

THIRD ANGLE PROJECTION DO NOT SCALE DRAWING

1