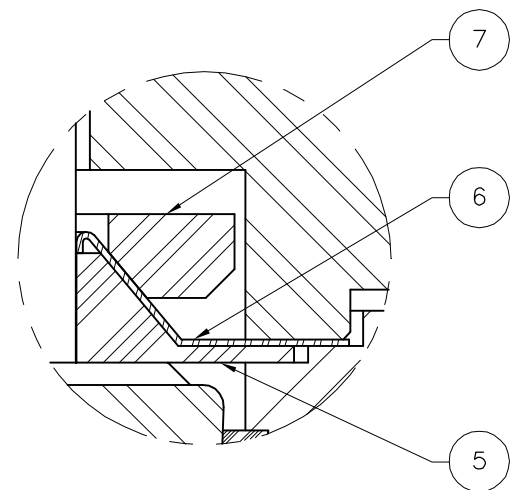
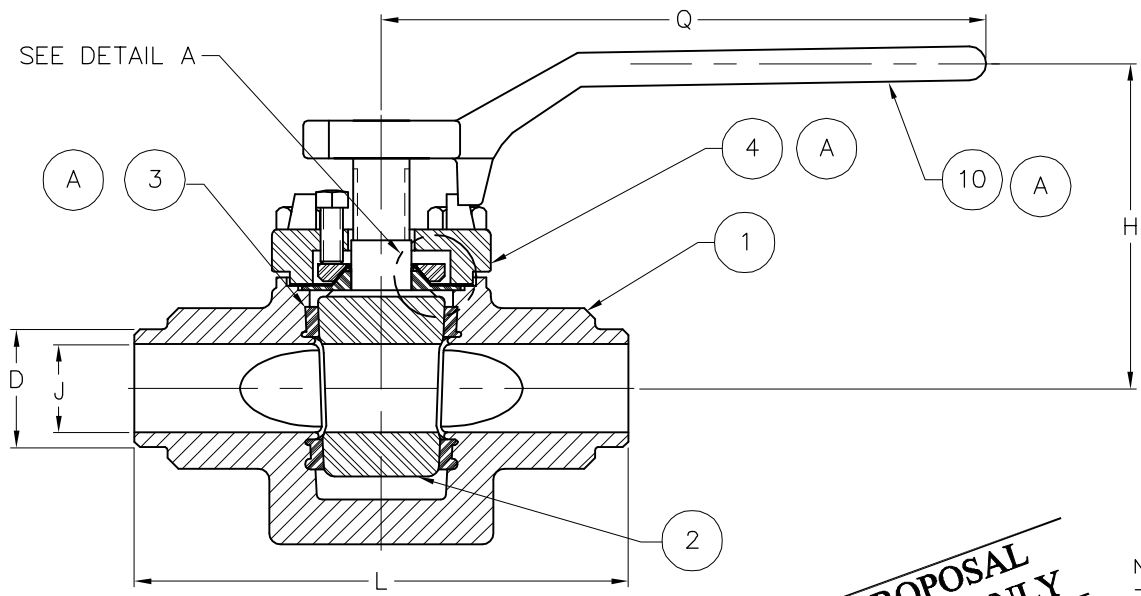
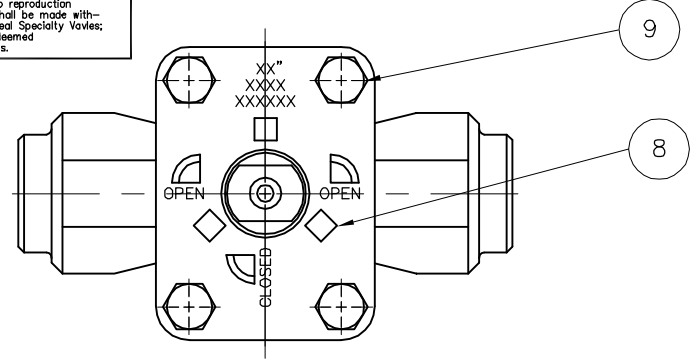


This drawing and the information herein contained is the property of FluoroSeal Specialty Valves and/or its subsidiaries and is supplied upon the express conditions that the same be returned to FluoroSeal Specialty Valves upon request; all information herein contained is to be treated as secret and confidential; no reproduction of this drawing or any part thereof shall be made without the written permission of FluoroSeal Specialty Valves; acceptance of this drawing shall be deemed acceptance of the foregoing conditions.

PART LIST

ITEM	QTY	DESCRIPTION
1	1	BODY
2	1	PLUG
3	1	SLEEVE
4	1	COVER
5	1	PTFE DIAPHRAGM
6	1	METAL DIAPHRAGM
7	1	THRUST COLLAR
8	3	ADJUSTMENT BOLT
9	4	COVER BOLT
10	1	FLUOROSEAL HANDLE/WRENCH



DETAIL A

**FOR PROPOSAL PURPOSES ONLY**

NOTE:  
 -WRENCH OPERATED.  
 -ACTATOR OPTIONAL ON ALL SIZES.  
 -THIS DRAWING SUPERSEDES FPS-152-302-BW-STD-05-11

SIZE	TECHNICAL DATA								Q
	D	H	J				L (A)		
			SCH5S	SCH10S	SCH40S	SCH80S	CLASS 150	CLASS 300	
1/2"	0.84	3.38	0.710	0.674	0.622	0.546	3.94	3.94	8.00
3/4"	1.05	3.38	0.920	0.884	0.824	0.742	3.94	3.94	8.00
1"	1.32	4.50	1.185	1.097	1.049	0.957	5.50	6.25	9.00
1-1/2"	1.90	5.31	1.770	1.682	1.610	1.500	6.50	7.50	14.25
2"	2.38	6.25	2.245	2.157	2.067	1.939	7.00	8.50	16.50
3"	3.50	6.56	3.334	3.260	3.068	2.900	8.00	11.12	16.50

A	# ECN - 0324	05/08/10	B.C.	A.R.
0	# NPD - 0119	05/04/15	S.C.	A.R.
REV	DESCRIPTION	DATE	DFTR	APVD

INVESTMENT CASTING TOLERANCES UNLESS OTHERWISE NOTED  
 DIMENSION 0-1" ±0.010  
 DIMENSION OVER 1" TOLERANCE FROM THE FIRST INCH PLUS A ±0.005 FOR EACH INCH OVER 1"  
 ALL CORNER RADDII TO BE 1/16 SURFACE FINISH TO BE 125 OR BETTER  
 MATERIAL: SEE B.O.M.

UNLESS OTHERWISE SPECIFIED DIMENSIONS ARE IN INCHES  
 ALL BURR AND SHARP EDGES ARE TO BE REMOVED  
 TOLERANCES:  
 ANGLES: ± 1/2° DECIMALS:  
 FINISH: 125 X ± .020  
 .XX ± .010  
 .XXX ± .005

TITLE: FLUROSEAL PLUGVALVE  
 1/2" TO 3" 152/302 BW SCH 5S, 10S, 40S & 80S ASSEMBLY, STANDARD CONFIGURATION

SIZE	DWG NO.	REV
C	FPS-152-302-BW-STD-05-11-SCH-5-10-40-80	A

DRAWN BY: B.CHEN DATE: 2005/08/10 SCALE: N.T.S.  
 CHECKED BY: A.ROQUET DATE: 2005/08/10 SHEET: 1/1

THIRD ANGLE PROJECTION DO NOT SCALE DRAWING

6418 Transcanadian Highway W., Montreal QC, H4T 1X4 TEL: (514)739-0220 FAX: (514)739-5452