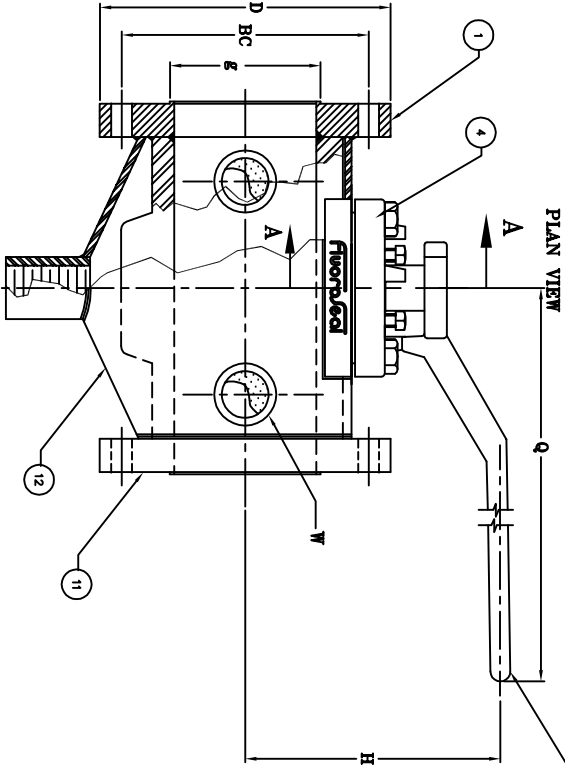
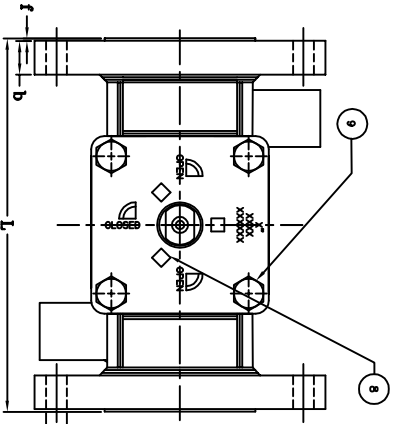
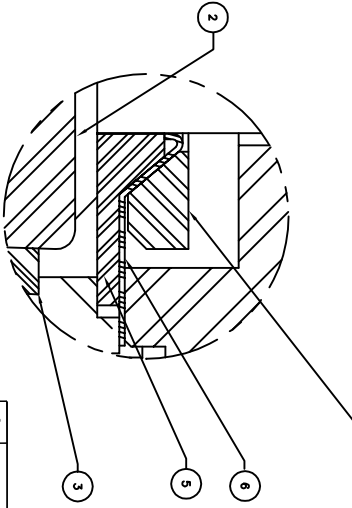


The drawing and the information herein contained is not intended to be used for any purpose other than that for which it was prepared. It is not to be construed as a contract or a warranty of any kind. The user of this drawing is advised to consult the manufacturer of the equipment shown for the correct interpretation of the drawing and the information herein contained.



SIZE	CLASS	TECHNICAL DATA										DRAIN CONNECTION	
		L	H	D	BC	E	b	f	g	d	W		
1" x 1/2" x 1"	150	5.00	3.69	4.25	3.13	2.00	0.50	0.060	8.00	0.63 (4X)		3/8	
1-1/2" x 3/4" x 1-1/2"	150	6.50	3.69	5.00	3.69	2.88	0.62	0.060	8.00	0.63 (4X)		3/8	
2" x 1" x 2"	150	7.00	4.38	6.00	4.75	3.63	0.69	0.060	9.00	0.75 (4X)		3/8	
2-1/2" x 1-1/2" x 2-1/2"	150	7.50	5.25	7.00	5.50	4.13	0.81	0.060	14.25	0.75 (4X)		1/2	
3" x 2" x 3"	150	8.00	6.00	7.50	6.00	5.00	0.88	0.060	16.50	0.75 (4X)		1/2	
4" x 3" x 4"	150	9.00	6.56	9.00	7.50	6.19	0.88	0.060	16.50	0.75 (8X)		1/2	
6" x 4" x 6"	150	10.50	7.81	11.00	9.50	6.50	0.94	0.060	23.63	0.88 (8X)		1/2	
1" x 1/2" x 1"	300	6.50	3.69	4.88	3.50	2.00	0.62	0.060	8.00	0.75 (4X)		3/8	
1-1/2" x 3/4" x 1-1/2"	300	7.50	3.69	6.12	4.50	2.88	0.75	0.060	9.00	0.88 (4X)		3/8	
2" x 1" x 2"	300	8.50	4.38	8.50	5.00	3.63	0.81	0.060	8.00	0.75 (8X)		3/8	
2-1/2" x 1-1/2" x 2-1/2"	300	9.50	5.25	7.50	5.88	4.13	0.94	0.060	14.25	0.88 (8X)		1/2	
3" x 2" x 3"	300	11.12	6.00	8.25	6.62	5.00	1.06	0.060	16.50	0.88 (8X)		1/2	
4" x 3" x 4"	300	12.00	6.56	10.00	7.88	6.19	1.19	0.060	16.50	0.88 (8X)		1/2	
6" x 4" x 6"	300	15.88	7.81	12.5	10.62	8.50	1.38	0.060	23.63	0.88 (12X)		1/2	

ITEM	QTY	DESCRIPTION
1	1	BODY
2	1	PLUG
3	1	SLEEVE
4	1	COVER
5	1	COMBINED DELTA RING/DIAPHRAGM
6	1	METAL DIAPHRAGM
7	1	THRUST COLLAR
8	3	ADJUSTMENT BOLT Δ
9	4	COVER BOLTS
10	1	FLUOROSEAL HANDLE
11	2	FLANGE
12	1	JACKET



SECTION A-A
SCALE: N.T.S.

The drawing and the information herein contained is not intended to be used for any purpose other than that for which it was prepared. It is not to be construed as a contract or a warranty of any kind. The user of this drawing is advised to consult the manufacturer of the equipment shown for the correct interpretation of the drawing and the information herein contained.

Fluoroseal SPECIALTY VALVES
6418 Transcendian Highway W.,
Montreal QC, H4T 1X4
TEL: (514)798-0220
FAX: (514)798-6452

REV	DESCRIPTION	DATE	D/PTR	A/PVD
0	NEW DRAWING, SEE NPD-0941	06/12/06	M.B.	A.R.

TITLE:
FLUOROSEAL PLUG VALVE
1/2" TO 4" FULL JACKET #152/302F
ASSEMBLY, STANDARD CONFIGURATION

SIZE: D
DRAWN BY: K.BENSALAH
CHKD BY: A.ROQUET
DATE: 2006/12/06
SCALE: N.T.S.
SHEET: 1/1

FIG. NO.: FPS-152-302-F-F1-STD-05-13
DATE: 2006/12/06
SCALE: N.T.S.
SHEET: 1/1

THIRD ANGLE PROJECTION DO NOT SCALE DRAWING

Δ BUSHING IS USED FOR 1/2" AND 3/4".
NOTE: