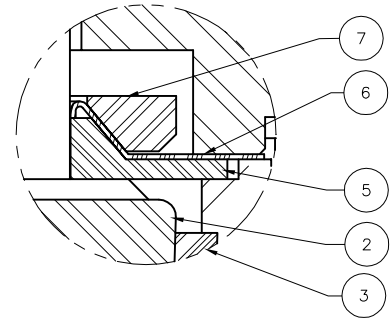
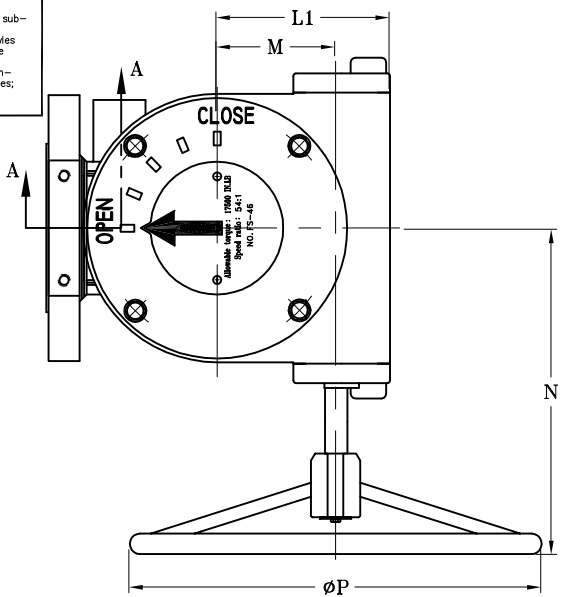
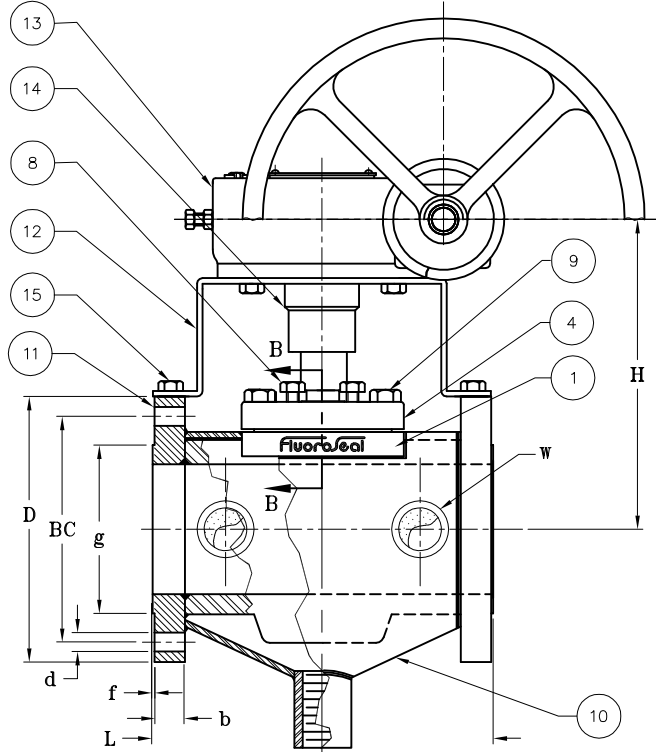


This drawing and the information herein contained is the property of FluoroSeal Specialty Valves and/or its subsidiaries and is supplied upon the express conditions that the same be returned to FluoroSeal Specialty Valves upon request; all information herein contained is to be treated as secret and confidential; no reproduction of this drawing or any part thereof shall be made without the written permission of FluoroSeal Specialty Valves; acceptance of this drawing shall be deemed acceptance of the foregoing conditions.



FIRE SEAL CONFIGURATION SECTION B-B, SCALE: N.T.S

BILL OF MATERIAL		
ITEM	QTY	DESCRIPTION
1	1	BODY
2	1	PLUG
3	1	SLEEVE
4	1	COVER
5	1	COMBINED DELTA RING/DIAPHRAGM
6	1	METAL DIAPHRAGM
7	1	THRUST COLLAR
8	3	ADJUSTMENT BOLT
9	VAR.	COVER BOLTS
10	1	JACKET
11	2	BLIND FLANGE
12	1	BRACKET
13	1	GEAR OPERATOR
14	1	GEAR ADAPTOR
15	4	BRACKET BOLTS



SECTION A-A/ELEVATION

TECHNICAL DATA														
SIZE	CLASS	L	H	D	BC	g	b	f	ØP	d	L1	M	N	W
6" x 4" x 6"	150	10.50	9.06	11.00	9.50	8.50	0.94	0.060	9.00	0.88(8X)	5.00	3.70	12.40	1/2"
8" x 6" x 8"	150	11.50	10.75	13.50	11.75	10.62	1.06	0.060	14.50	0.88(8X)	5.00	3.70	12.40	1"
10" x 8" x 10"	150	13.00	13.00	16.00	14.25	12.75	1.12	0.060	19.50	1.00(12X)	6.40	4.80	16.40	1"
12" x 10" x 12"	150	14.00	15.00	19.00	17.00	15.00	1.19	0.060	19.50	1.00(12X)	6.40	4.80	16.40	1"
16" x 12" x 16"	150	16.00	16.00	23.50	21.25	18.50	1.38	0.060	27.50	1.12(16X)	9.95	5.00	18.70	1"
6" x 4" x 6"	300	15.88	9.06	12.50	10.63	8.50	1.38	0.060	9.00	0.88(12X)	5.00	3.70	12.40	1/2"
8" x 6" x 8"	300	16.50	10.75	15.00	13.00	10.62	1.56	0.060	14.50	1.00(12X)	5.00	3.70	12.40	1"
10" x 8" x 10"	300	18.00	13.00	17.50	15.25	12.75	1.81	0.060	19.50	1.13(16X)	6.40	4.80	16.40	1"
12" x 10" x 12"	300	19.75	15.00	20.50	17.75	15.00	1.94	0.060	19.50	1.25(16X)	6.40	4.80	16.40	1"
16" x 12" x 16"	300	24.00	16.40	25.50	22.50	18.50	2.19	0.060	27.50	1.38(20X)	9.95	5.00	18.70	1"

REV	DESCRIPTION	DATE	DFTR	APVD
0	SEE # NPD-0341	06/12/06	M.B.	A.R.

REVISION

This drawing and the information herein contained is the property of FluoroSeal Specialty Valves and/or its subsidiaries and is supplied upon the express conditions that the same be returned to FluoroSeal Specialty Valves upon request; all information herein contained is to be treated as secret and confidential; no reproduction of this drawing or any part thereof shall be made without the written permission of FluoroSeal Specialty Valves; acceptance of this drawing shall be deemed acceptance of the foregoing conditions.

**FluoroSeal** SPECIALTY VALVES  
 6418 Transcanadian Highway W.,  
 Montreal QC, H4T 1X4  
 TEL: (514)739-0220  
 FAX: (514)739-5452

TITLE: FLUROSEAL PLUG VALVE  
 4" - 12" FULL JACKET #152/302  
 ASSEMBLY, STANDARD CONFIGURATION

SIZE C DWG NO. FPS-152-302-F-FJ-STD-13-18 REV 0

DRAWN BY: M.BENSALAH DATE: 2006/12/06 SCALE: N.T.S.  
 CHKD BY: A.ROQUET DATE: 2006/12/06 SHEET: 1/1

THIRD ANGLE PROJECTION DO NOT SCALE DRAWING