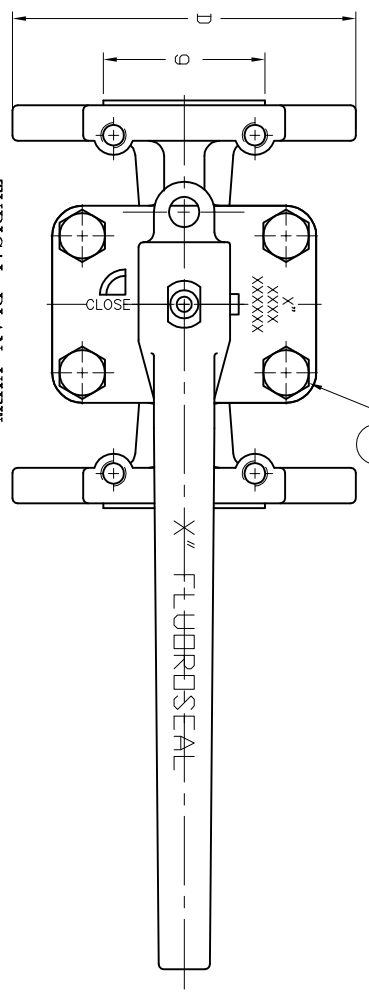
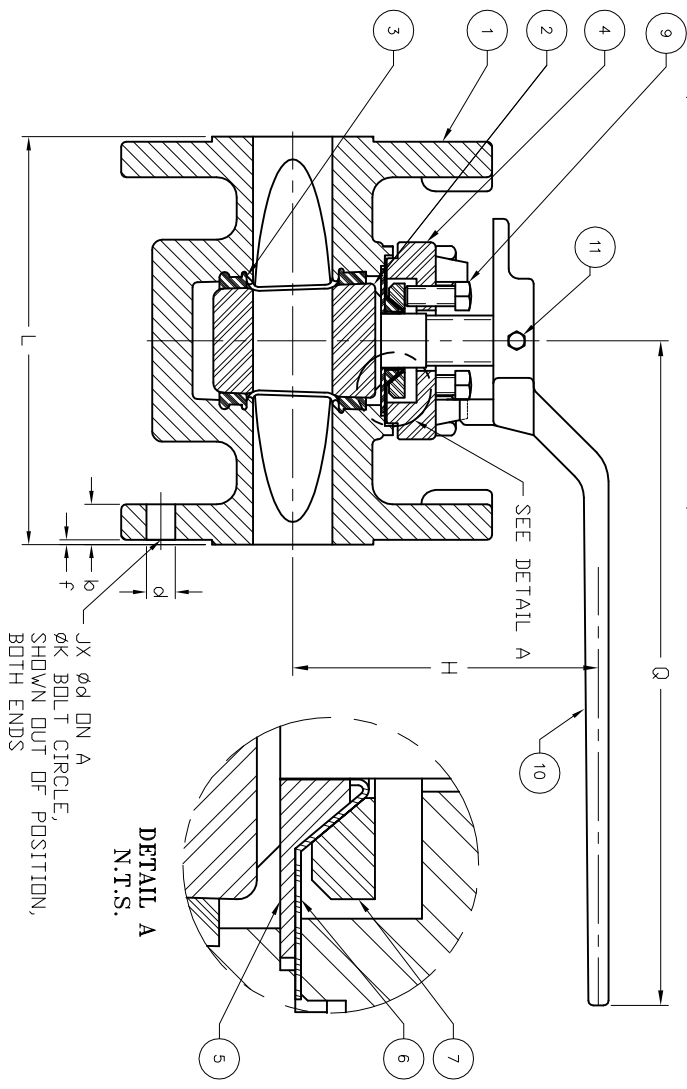


- NOTES:
- Dimensions are in inches.
  - Dimension L is as per ASME B16.10.
  - Dimension D,K,G,b,f,d and J are as per ASME B16.5.
  - The shell and closure pressure tests are as per ASME B16.34.
  - Casting must meet visual inspection requirements of MSS-SP-55, regardless of material, acceptability will be based on reference photographs in annex A. Levels a & b are acceptable.
  - The bushing is used for 1/2", 3/4" valve.
  - THIS DRAWING SUPERSIDES DWG FPS-152-302-F-STD-05-13-CF8M-CF8M.



TYPICAL PLAN VIEW  
(FLANGED END ASSEMBLY SHOWN)



DETAIL A  
N.T.S.

BILL OF MATERIAL			MATERIAL	
ITEM QTY	DESCRIPTION			
1	BODY	ASTM A351 GR.:CF8M		
2	PLUG	ASTM A351 GR.:CF8M		
3	SLEEVE	PTFE		
4	COVER	ASTM A351 GR.:CF8		
5	COMBINED DIAPHRAGM/DELTA RING	PTFE		
6	METAL DIAPHRAGM	304 SS		
7	THRUST COLLAR	ASTM A351 GR.:CF8		
8	COVER BOLT	ASTM A193 GR.:B8		
9	ADJUSTMENT BOLT	304 SS		
10	FLUROSEAL HANDLE/WRENCH	ASTM A216 GR.:WCB		
11	WRENCH BOLT	CARBON STEEL		

SIZE	CLASS	TECHNICAL DATA										
		L	H	D	K	g	b	f	d	j	Q	
1/2"	150	4.25	3.7	3.50	2.38	1.38	.38	.63	4	8.0		
3/4"	150	4.63	3.7	3.88	2.75	1.69	.41	.63	4	8.0		
1"	150	5.00	4.4	4.25	3.13	2.00	.44	.63	4	9.0		
1 1/2"	150	6.50	5.2	5.00	3.88	2.88	.56	.63	4	14.3		
2"	150	7.00	6.0	6.00	4.75	3.63	.63	.75	4	16.5		
2 1/2"	150	8.00	6.6	7.50	5.50	4.13	.75	.75	4	16.5		
3"	150	8.00	6.6	7.50	6.00	5.00	.75	.75	4	16.5		
4"	150	9.00	7.8	9.00	7.50	6.19	.94	.75	8	23.6		
1/2"	300	5.50	3.7	3.75	2.63	1.38	.56	.63	4	8.0		
3/4"	300	6.00	3.7	4.63	3.25	1.69	.63	.75	4	8.0		
1"	300	6.50	4.4	4.88	3.50	2.00	.69	.75	4	9.0		
1 1/2"	300	7.50	5.2	6.13	4.50	2.88	.81	.88	4	14.3		
2"	300	8.50	6.0	6.50	5.00	3.63	.88	.75	8	16.5		
2 1/2"	300	11.13	6.6	8.25	5.88	4.13	1.13	.88	8	16.5		
3"	300	11.13	6.6	8.25	6.63	5.00	1.13	.88	8	16.5		
4"	300	12.00	7.8	10.00	7.88	6.19	1.25	.88	8	23.6		

REV	DESCRIPTION	DATE	BY	CHKD	DATE
0		2010/06/16	Y.L.		

This drawing and the information herein contained are the property of Fluoroseal Specialty Valves and/or its subsidiaries. It is to be used for the manufacture of parts and assemblies for the same. It is not to be used for any other purpose without the written permission of Fluoroseal Specialty Valves. The user assumes all responsibility for the safe use of the information herein.

**Fluoroseal**  
SPECIALTY VALVES

1875, 46TH AVENUE  
LACHINE QC, H8T 2N8  
TEL: (514)739-0220  
FAX: (514)739-5452

TITLE:  
**FLUROSEAL PLUG VALVE**  
1/2" - 4" 152F/302F 316/316  
ASSEMBLY W/WRENCH

SIZE	DWG NO.	REV
A	FPS-152-302-F-STD-05-13-316-316	0

DATE	SCALE	N.T.S.
2010/06/16	1/1	

THIRD ANGLE PROJECTION DD NOT SCALE DRAWING