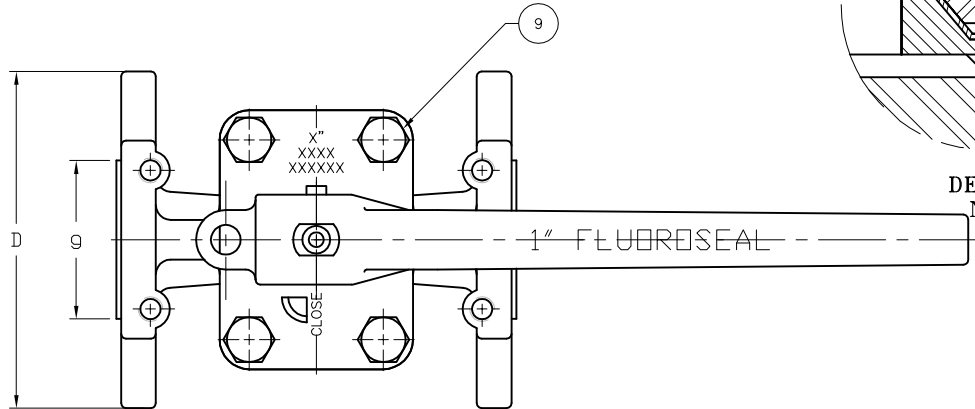
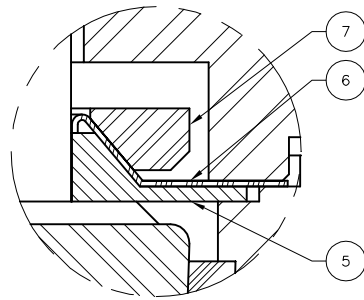


NOTE:
1. BUSHING IS USED FOR 1/2" & 3/4" VALVE.



TYPICAL PLAN VIEW
(FLANGED END ASSEMBLY SHOWN)

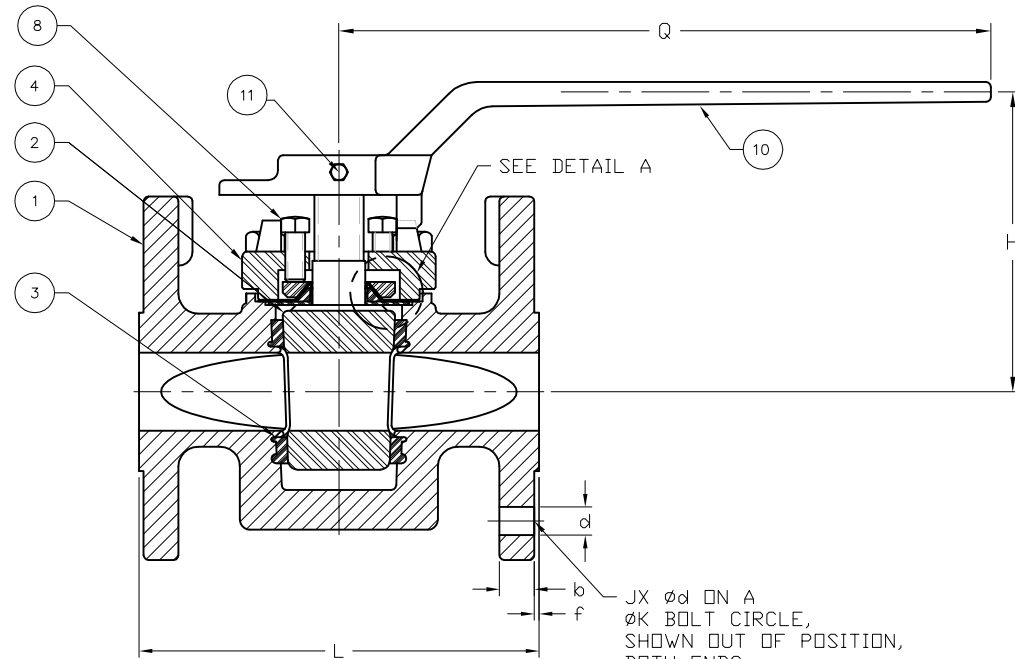


DETAIL A
N.T.S.

BILL OF MATERIAL			
ITEM	QTY	DESCRIPTION	MATERIAL
1	1	BODY	ASTM, A216 Gr. WCB
2	1	PLUG	ASTM, A351 Gr. CF8M
3	1	SLEEVE	PTFE
4	1	COVER	ASTM, A216 Gr. WCB
5	1	COMBINED DIAPHRAGM/DELTA RING	PTFE
6	1	METAL DIAPHRAGM	304 S.S.
7	1	THRUST COLLAR	ASTM, A351 Gr. CF8
8	3	ADJUSTMENT BOLT (SEE NOTE 1)	304 S.S.
9	4	COVER BOLT	ASTM, A193 Gr. B7
10	1	FLUOROSEAL HANDLE/WRENCH	ASTM, A216 Gr. WCB
11	1	WRENCH BOLT	SAE Gr. 5

TECHNICAL DATA											
SIZE	CLASS	L	H	D	K	g	b	f	d	j	Q
1/2"	150	4.25	3.69	3.50	2.38	1.38	.38	.06	.63	4	8.00
3/4"	150	4.63	3.69	3.88	2.75	1.69	.41	.06	.63	4	8.00
1"	150	5.00	4.38	4.25	3.13	2.00	.44	.06	.63	4	9.00
1 1/2"	150	6.50	5.25	5.00	3.88	2.88	.56	.06	.63	4	14.25
2"	150	7.00	6.00	6.00	4.75	3.63	.63	.06	.75	4	16.50
2 1/2"	150	8.00	6.56	7.50	5.50	4.13	.75	.06	.75	4	16.50
3"	150	8.00	6.56	7.50	6.00	5.00	.75	.06	.75	4	16.50
4"	150	9.00	7.813	9.00	7.50	6.19	.94	.06	.75	8	23.63

TECHNICAL DATA											
SIZE	CLASS	L	H	D	K	g	b	f	d	j	Q
1/2"	300	5.50	3.69	3.75	2.63	1.38	.56	.06	.63	4	8.00
3/4"	300	6.00	3.69	4.63	3.25	1.69	.63	.06	.75	4	8.00
1"	300	6.50	4.38	4.88	3.50	2.00	.69	.06	.75	4	9.00
1 1/2"	300	7.50	5.25	6.13	4.50	2.88	.81	.06	.88	4	14.25
2"	300	8.50	6.00	6.50	5.00	3.63	.88	.06	.75	8	16.50
2 1/2"	300	11.13	6.56	8.25	5.88	4.13	1.13	.06	.88	8	16.50
3"	300	11.13	6.56	8.25	6.63	5.00	1.13	.06	.88	8	16.50
4"	300	12.00	7.813	10.00	7.88	6.19	1.25	.06	.88	8	23.63



REV	DESCRIPTION	DATE	DFTR	APVD
A	SEE #ECN-0515	2008/01/18	K.D.	S.E.
O	SEE #NPD-0281	2006/06/10	S.C.	A.R.

This drawing and the information herein contained is the property of FluoroSeal Specialty Valves and/or its subsidiaries and is supplied upon the express conditions that the same be returned to FluoroSeal Specialty Valves upon request; all information herein contained is to be treated as secret and confidential; no reproduction of this drawing or any part thereof shall be made without the written permission of FluoroSeal Specialty Valves; acceptance of this drawing shall be deemed acceptance of the foregoing conditions.

FluoroSeal SPECIALTY VALVES
6418 Transcanadian Highway W.,
Montreal QC, H4T 1X4
TEL: (514)739-0220
FAX: (514)739-5452

TITLE:
1/2" - 4" 152F/302F WCB/CF8M
ASSEMBLY W/WRENCH

SIZE A	DWG NO. FPS-152-302-F-STD-05-13-WCB-CF8M	REV A
DRAWN BY: K.DEBCHI	DATE: 2008/01/18	SCALE: N.T.S.
CHKD BY: S.ELFASHNY	DATE: 2008/01/18	SHEET: 1/1

THIRD ANGLE PROJECTION DO NOT SCALE DRAWING