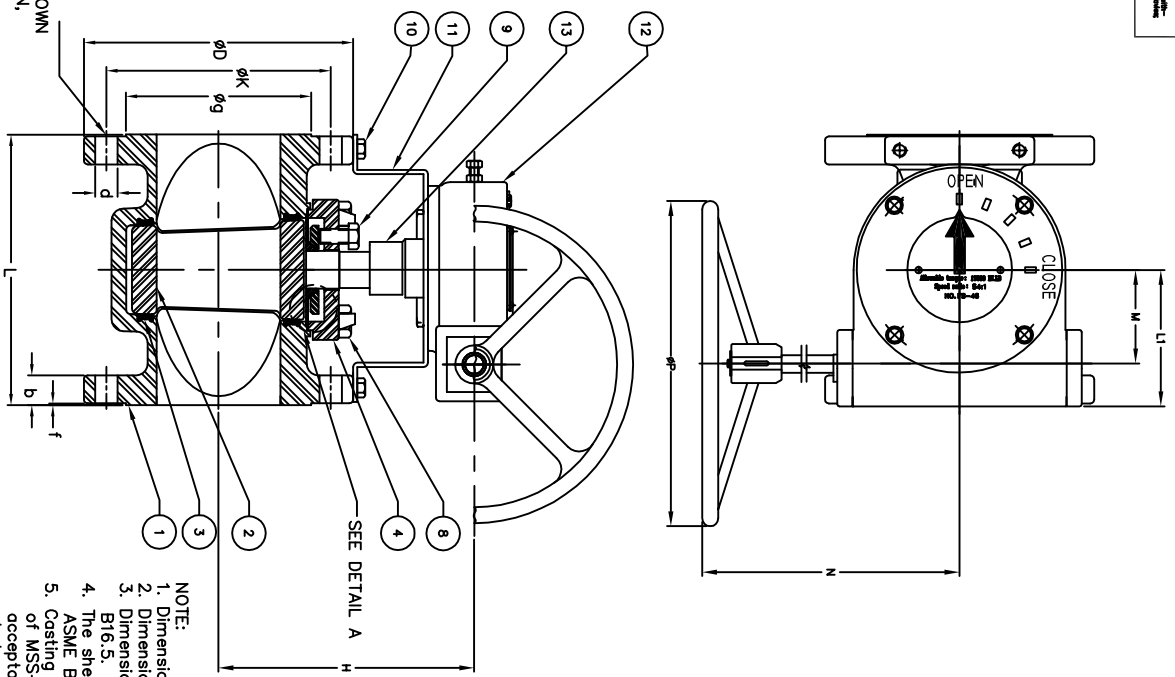
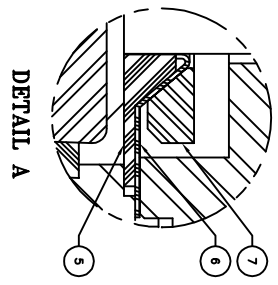


For the purpose of this drawing, the following definitions apply:   
 1. Dimension L is as per ASME B16.10.   
 2. Dimension L is as per ASME B16.10.   
 3. Dimension D,K,g,b,f,d and j are as per ASME B16.5.   
 4. The shell and closure pressure tests are as per ASME B16.34.   
 5. Casting must meet visual inspection requirements of MSS-SP-55, regardless of material, acceptability will be based on reference photographs in annex A. Levels a & b are acceptable.



- NOTE:
1. Dimension ore in inches.
  2. Dimension L is as per ASME B16.10.
  3. Dimension D,K,g,b,f,d and j are as per ASME B16.5.
  4. The shell and closure pressure tests are as per ASME B16.34.
  5. Casting must meet visual inspection requirements of MSS-SP-55, regardless of material, acceptability will be based on reference photographs in annex A. Levels a & b are acceptable.



ITEM QTY	DESCRIPTION	MATERIAL
1 1	BODY	ASTM A351 Gr. CF8M
2 1	PLUG	ASTM A351 Gr. CF8M
3 1	SLEEVE	PTE
4 1	COVER	ASTM A351 Gr. CF8
5 1	COMBINED DIAPHRAGM/DELTA RING	PTE
6 1	METAL DIAPHRAGM	304 S.S.
7 1	THRUST COLLAR	ASTM A351 Gr. CF8
8	VAR. COVER BOLT	ASTM A193 Gr. B8
9 3	ADJUSTMENT BOLT	304 S.S.
10 4	BRACKET BOLTS	304 S.S.
11 1	BRACKET	304 S.S.
12 1	GEAR ACTUATOR	D.I. CAST HOUSING
13 1	GEAR ADAPTOR	4140 STEEL

SIZE	CLASS	L	H	D	ØK	ØG	b	f	d	j	ØP	L1	M	N
4"	150	9.00	9.063	9.00	7.50	6.19	.94	0.060	0.75	8	14.50	5.125	3.750	12.500
5"	150	10.50	10.750	11.00	8.50	7.31	1.00	0.060	0.88	8	14.50	5.125	3.750	12.500
6"	150	10.50	10.750	11.00	9.50	8.50	1.00	0.060	0.88	8	14.50	5.125	3.750	12.500
8"	150	11.50	13.000	13.50	11.75	10.63	1.13	0.060	0.88	8	19.50	6.438	4.875	16.375
10"	150	13.00	14.938	16.00	14.25	12.75	1.19	0.060	1.00	12	19.50	6.438	4.875	16.375
12"	150	14.00	15.688	18.00	17.00	15.00	1.25	0.060	1.00	12	27.50	7.938	5.063	18.688
14"	150	15.00	16.688	21.00	18.75	16.25	1.38	0.060	1.12	12	27.50	7.938	5.063	18.688
16"	150	30.00	21.250	23.50	21.25	18.50	1.44	0.060	1.12	16	27.50	7.938	5.063	18.688
18"	150	34.00	22.063	25.00	22.75	21.00	1.56	0.060	1.25	16	27.50	7.938	5.063	18.688
20"	150	36.00	29.438	27.50	25.00	23.00	1.69	0.060	1.25	20	19.688	8.750	5.750	18.685
24"	150	42.00	27.438	32.00	29.50	27.25	1.88	0.060	1.38	20	19.688	8.750	5.750	18.688

**FluoroSeal** SPECIALTY VALVES  
 6418 Transportation Highway W.,  
 Montreal, Qc., H4T 1X4  
 TEL: (514) 736-0220  
 FAX: (514) 736-5452

SEE #EON-0537  
 SEE #RPD-0281  
 SEE #P/06/10  
 DATE: 08/03/13  
 DATE: 06/06/10  
 DATE: 2008/03/13

REV: 0  
 DESCRIPTION: 4" TO 24" 150# 302F CF8M STANDARD CONFIG. ASSEMBLY W/GEAR OPERATOR  
 DATE: 08/03/13  
 DTR: S.C.  
 APVD: A.R.

SIZE: 4" PNC NO: PFS-152-302-F-STD-13-24-CF8M-CF8M A  
 DRAWN BY: K.DEBCHI DATE: 2008/03/13 SCALE: N.T.S.  
 CHKD BY: SELFASHNY DATE: 2008/03/13 SHEET: 1/1  
 THIRD ANGLE PROJECTION DO NOT SCALE DRAWING