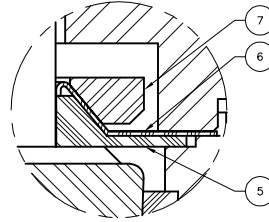
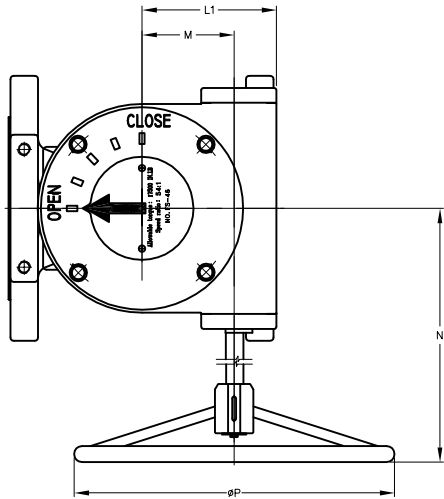


This drawing and the information herein contained is the property of FluoroSeal Specialty Valves and/or its subsidiaries and is supplied upon the express conditions that the same be returned to FluoroSeal Specialty Valves upon request; all information herein contained is to be treated as secret and confidential; no reproduction of this drawing or any part thereof shall be made without the written permission of FluoroSeal Specialty Valves; acceptance of this drawing shall be deemed acceptance of the foregoing conditions.

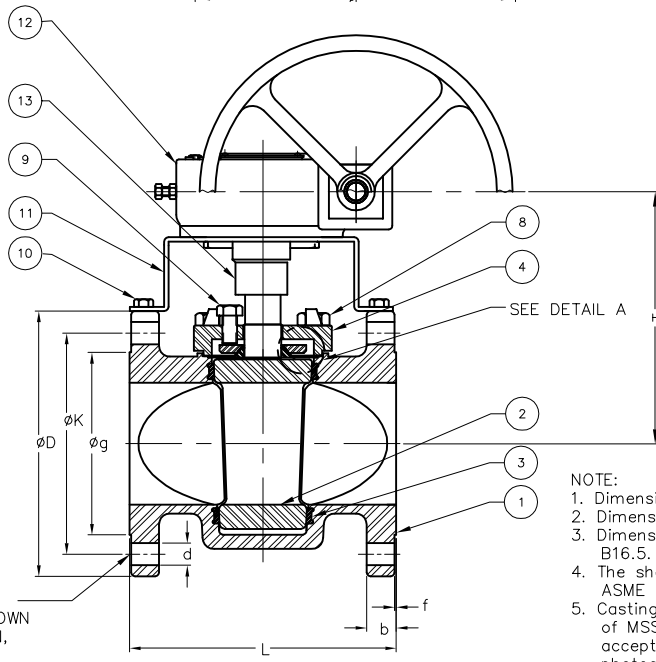


DETAIL A

BILL OF MATERIAL			
ITEM	QTY	DESCRIPTION	MATERIAL
1	1	BODY	ASTM, A216 Gr. WCB
2	1	PLUG	ASTM, A351 Gr. CF8M
3	1	SLEEVE	PTFE
4	1	COVER	ASTM, A216 Gr. WCB
5	1	COMBINED DIAPHRAGM/DELTA RING	PTFE
6	1	METAL DIAPHRAGM	304 S.S.
7	1	THRUST COLLAR	ASTM, A351 Gr. CF8
8	VAR.	COVER BOLT	ASTM, A193 Gr. B7
9	3	ADJUSTMENT BOLT	304 S.S.
10	4	BRACKET BOLTS	304 S.S.
11	1	BRACKET	304 S.S.
12	1	GEAR ACTUATOR	D.I. STEEL CAST HOUSING
13	1	GEAR ADAPTOR	4140 STEEL

TECHNICAL DATA														
SIZE	CLASS	L	H	D	ØK	Øg	b	f	d	J	ØP	L1	M	N
4"	150	9.00	9.063	9.00	7.50	6.19	.94	0.060	0.75	8	14.50	5.125	3.750	12.500
6"	150	10.50	10.750	11.00	9.50	8.50	1.00	0.060	0.88	8	14.50	5.125	3.750	12.500
8"	150	11.50	13.000	13.50	11.75	10.63	1.13	0.060	0.88	8	19.50	6.438	4.875	16.375
10"	150	13.00	14.938	16.00	14.25	12.75	1.19	0.060	1.00	12	19.50	6.438	4.875	16.375
12"	150	14.00	15.688	19.00	17.00	15.00	1.25	0.060	1.00	12	27.50	7.938	5.063	18.688
14"	150	15.00	16.688	21.00	18.75	16.25	1.38	0.060	1.12	12	27.50	7.938	5.063	18.688
16"	150	30.00	21.250	23.50	21.25	18.50	1.44	0.060	1.12	16	27.50	7.938	5.063	18.688
18"	150	34.00	22.063	25.00	22.75	21.00	1.56	0.060	1.25	16	27.50	7.938	5.063	18.688
20"	150	36.00	29.438	27.50	25.00	23.00	1.69	0.060	1.25	20	19.688	8.750	5.750	18.685
24"	150	42.00	27.438	32.00	29.50	27.25	1.88	0.060	1.38	20	19.688	8.750	5.750	18.688

TECHNICAL DATA														
SIZE	CLASS	L	H	D	ØK	Øg	b	f	d	J	ØP	L1	M	N
4"	300	12.00	9.063	10.00	7.88	6.19	1.25	0.060	0.88	8	14.50	5.125	3.750	12.500
6"	300	15.88	10.750	12.50	10.63	8.50	1.44	0.060	0.88	12	14.50	5.125	3.750	12.500
8"	300	16.50	13.000	15.00	13.00	10.63	1.63	0.060	1.00	12	19.50	6.438	4.875	16.375
10"	300	18.00	14.938	17.50	15.25	12.75	1.88	0.060	1.13	16	19.50	6.438	4.875	16.375
12"	300	19.75	15.688	20.50	17.75	15.00	2.00	0.060	1.25	16	27.50	7.938	5.063	18.688
14"	300	30.0	16.688	23.00	20.25	16.25	2.12	0.060	1.25	20	27.50	7.938	5.063	18.688
16"	300	33.00	21.250	25.50	22.50	18.50	2.25	0.060	1.38	20	27.50	7.938	5.063	18.688



NOTE:

1. Dimension are in inches.
2. Dimension L is as per ASME B16.10.
3. Dimension D,K,g,b,f,d and J are as per ASME B16.5.
4. The shell and closure pressure tests are as per ASME B16.34.
5. Casting must meet visual inspection requirements of MSS-SP-55, regardless of material, acceptability will be based on reference photographs in annex A. Levels a & b are acceptable.

A	# ECN-0515	08/01/18	K.D.	S.E.
0	# NPD-0281	06/06/10	S.C.	A.R.
REV	DESCRIPTION	DATE	DFTR	APVD

This drawing and the information herein contained is the property of FluoroSeal Specialty Valves and/or its subsidiaries and is supplied upon the express conditions that the same be returned to FluoroSeal Specialty Valves upon request; all information herein contained is to be treated as secret and confidential; no reproduction of this drawing or any part thereof shall be made without the written permission of FluoroSeal Specialty Valves; acceptance of this drawing shall be deemed acceptance of the foregoing conditions.

FluoroSeal SPECIALTY VALVES

6418 Transcanadian Highway W.,
Montreal QC, H4T 1X4
TEL: (514)739-0220
FAX: (514)739-5452

TITLE: FLUROSEAL PLUG VALVE 4" TO 24" 152/302F WCB/CF8M STANDARD CONFIG. ASSEMBLY W/GEAR OPERATOR			
SIZE D	DWG NO. FPS-152-302-F-STD-13-24-WCB-CF8M	DATE: 2008/01/18	REV A
DRAWN BY: K.DEBCHI		DATE: 2008/01/18	SCALE: N.T.S.
CHKD BY: S.ELFASHNY		DATE: 2008/01/18	SHEET: 1/1
THIRD ANGLE PROJECTION		DO NOT SCALE DRAWING	