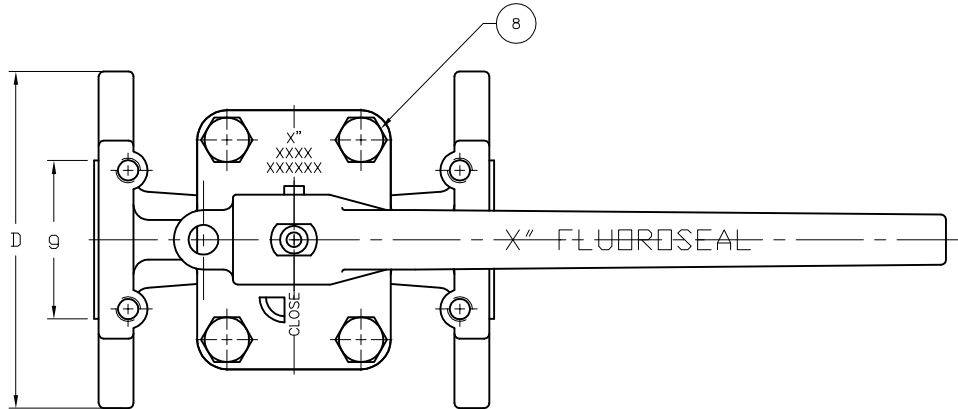
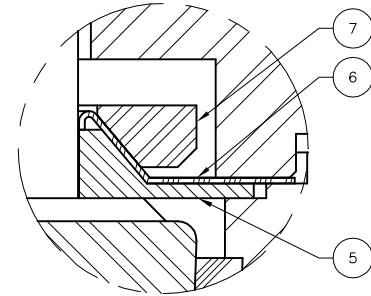


NOTE:  
1. BUSHING IS USED FOR 1/2" & 3/4" VALVE  
IN ACCORDANCE WITH ASME B16-5.



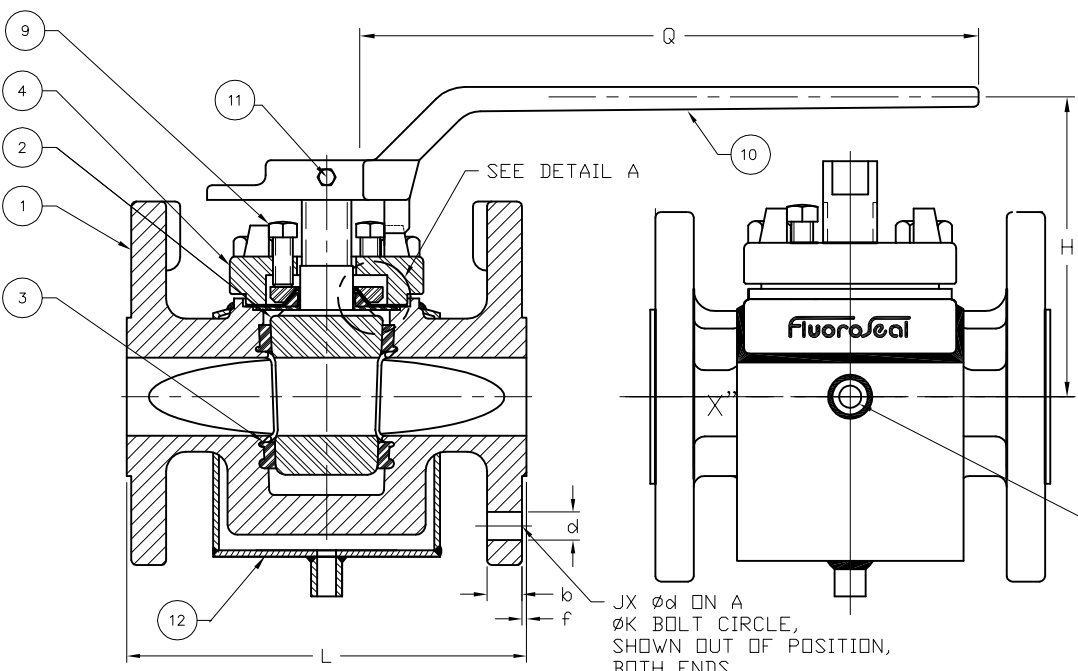
TYPICAL PLAN VIEW  
(FLANGED END ASSEMBLY SHOWN)



DETAIL A  
N.T.S.

BILL OF MATERIAL		
ITEM	QTY	DESCRIPTION
1	1	BODY
2	1	PLUG
3	1	SLEEVE
4	1	COVER
5	1	COMBINED DIAPHRAGM/DELTA RING
6	1	METAL DIAPHRAGM
7	1	THRUST COLLAR
8	4	COVER BOLT
9	3	ADJUSTMENT BOLT (SEE NOTE 1)
10	1	FLUOROSEAL HANDLE/WRENCH
11	1	WRENCH BOLT
12	1	JACKET

TECHNICAL DATA												
SIZE	CLASS	L	H	D	K	g	b	f	d	j	Q	W
1/2"	150	4.25	3.69	3.50	2.38	1.38	.38	.06	.63	4	8.00	3/8"
3/4"	150	4.63	3.69	3.88	2.75	1.69	.41	.06	.63	4	8.00	3/8"
1"	150	5.00	4.38	4.25	3.13	2.00	.44	.06	.63	4	9.00	3/8"
1 1/2"	150	6.50	5.25	5.00	3.88	2.88	.56	.06	.63	4	14.25	1/2"
2"	150	7.00	6.00	6.00	4.75	3.63	.63	.06	.75	4	16.50	1/2"
2 1/2"	150	8.00	6.56	7.50	5.50	4.13	.75	.06	.75	4	16.50	1/2"
3"	150	8.00	6.56	7.50	6.00	5.00	.75	.06	.75	4	16.50	1/2"
4"	150	9.00	7.813	9.00	7.50	6.19	.94	.06	.75	8	23.63	1/2"
1/2"	300	5.50	3.69	3.75	2.63	1.38	.56	.06	.63	4	8.00	3/8"
3/4"	300	6.00	3.69	4.63	3.25	1.69	.63	.06	.75	4	8.00	3/8"
1"	300	6.50	4.38	4.88	3.50	2.00	.69	.06	.75	4	9.00	3/8"
1 1/2"	300	7.50	5.25	6.13	4.50	2.88	.81	.06	.88	4	14.25	1/2"
2"	300	8.50	6.00	6.50	5.00	3.63	.88	.06	.75	8	16.50	1/2"
2 1/2"	300	11.13	6.56	8.25	5.88	4.13	1.13	.06	.88	8	16.50	1/2"
3"	300	11.13	6.56	8.25	6.63	5.00	1.13	.06	.88	8	16.50	1/2"
4"	300	12.00	7.813	10.00	7.88	6.19	1.25	.06	.88	8	23.63	1/2"



JX  $\phi$ d ON A  
 $\phi$ K BOLT CIRCLE,  
SHOWN OUT OF POSITION,  
BOTH ENDS

0	SEE NPD-0369	2007/04/20	M.B.	S.E.
REV	DESCRIPTION	DATE	DFTR	APVD
REVISION				

This drawing and the information herein contained is the property of FluoroSeal Specialty Valves and/or its subsidiaries and is supplied upon the express conditions that the same be returned to FluoroSeal Specialty Valves upon request; all information herein contained is to be treated as secret and confidential; no reproduction of this drawing or any part thereof shall be made without the written permission of FluoroSeal Specialty Valves; acceptance of this drawing shall be deemed acceptance of the foregoing conditions.

**FluoroSeal** SPECIALTY VALVES  
6418 Transcanadian Highway W.,  
Montreal QC, H4T 1X4  
TEL: (514)739-0220  
FAX: (514)739-5452

TITLE: 1/2" - 4" 152F/302 PARTIAL JACKET ASSEMBLY W/WRENCH			
SIZE A	DWG NO. FPS-152-302-PJ-STD-05-13	REV 0	
DRAWN BY: M.BENSALAH		DATE: 2007/04/20 SCALE: N.T.S.	
CHKD BY: A.ROQUET		DATE: 2007/04/20 SHEET: 1/1	
THIRD ANGLE PROJECTION DO NOT SCALE DRAWING			