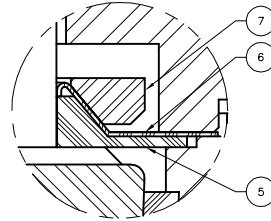
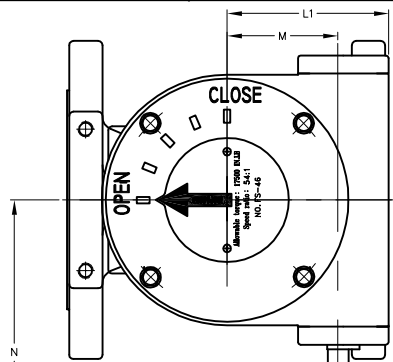


This drawing and the information herein contained is the property of FluoroSeal Specialty Valves and/or its subsidiaries and is supplied upon the express conditions that the same be returned to FluoroSeal Specialty Valves upon request; all information herein contained is to be treated as secret and confidential; no reproduction of this drawing or any part thereof shall be made without the written permission of FluoroSeal Specialty Valves; acceptance of this drawing shall be deemed acceptance of the foregoing conditions.

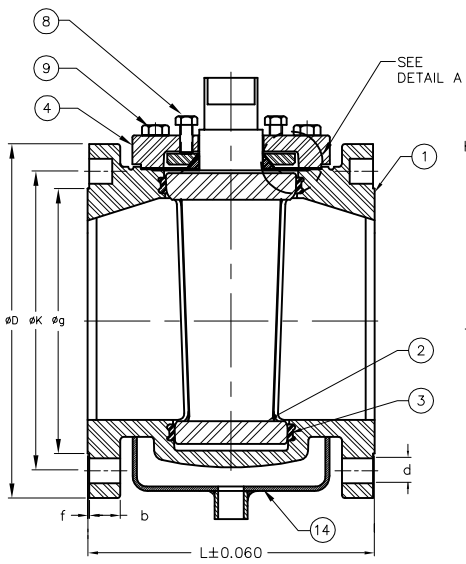
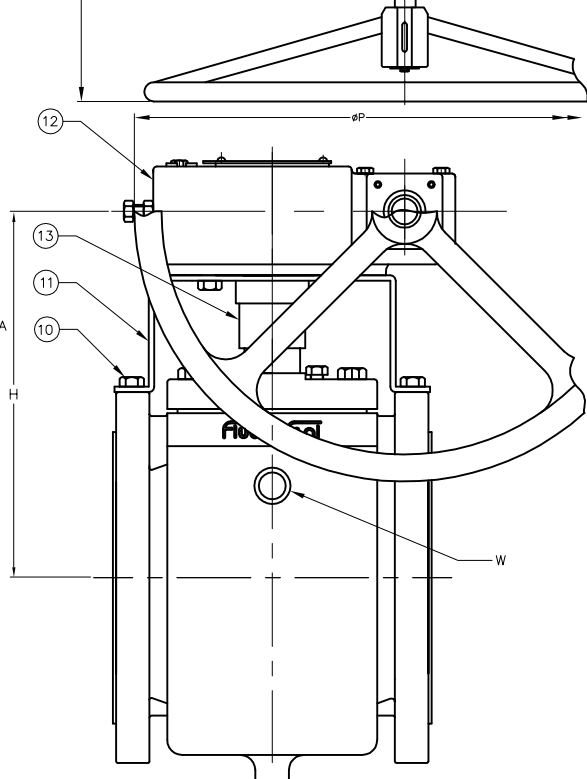
- NOTE:
1. Dimension are in inches.
 2. Dimension L is as per ASME B16.10.
 3. Dimension D,K,g,b,f,d and J are as per ASME B16.5.
 4. The shell and closure pressure tests are as per ASME B16.34.
 5. Casting must meet visual inspection requirements of MSS-SP-55, regardless of material, acceptability will be based on reference photographs in annex A. Levels a & b are acceptable.



DETAIL A

BILL OF MATERIAL		
ITEM	QTY	DESCRIPTION
1	1	BODY
2	1	PLUG
3	1	SLEEVE
4	1	COVER
5	1	DELTA RING DIAPHRAGM COMBINED
6	1	METAL DIAPHRAGM
7	1	THRUST COLLAR
8	3	ADJUSTMENT BOLT
9	VAR.	COVER BOLTS
10	4	BRACKET BOLTS
11	1	BRACKET
12	1	GEAR ACTUATOR
13	1	GEAR ADAPTOR
14	1	JACKET

TECHNICAL DATA																
SIZE	CLASS	L	H	D	ØK	Øg	b	f	d	J	ØP	L1	M	N	W	
4"	150	9.00	9.063	9.00	7.50	6.19	.94	0.060	0.75	8	14.50	5.125	3.750	12.500	1/2" NPT	
6"	150	10.50	10.750	11.00	9.50	8.50	1.00	0.060	0.88	8	14.50	5.125	3.750	12.500	1" NPT	
8"	150	11.50	13.000	13.50	11.75	10.63	1.13	0.060	0.88	8	19.50	6.438	4.875	16.375	1" NPT	
10"	150	13.00	14.938	16.00	14.25	12.75	1.19	0.060	1.00	12	19.50	6.438	4.875	16.375	1" NPT	
12"	150	14.00	15.688	19.00	17.00	15.00	1.25	0.060	1.00	12	27.50	7.938	5.063	18.688	1" NPT	
14"	150	15.00	16.688	21.00	18.75	16.25	1.38	0.060	1.12	12	27.50	7.938	5.063	18.688	1" NPT	
16"	150	30.00	21.250	23.50	21.25	18.50	1.44	0.060	1.12	16	27.50	7.938	5.063	18.688	1" NPT	
18"	150	34.00	22.063	25.00	22.75	21.00	1.56	0.060	1.25	16	27.50	7.938	5.063	18.688	1" NPT	
20"	150	36.00	29.438	27.50	25.00	23.00	1.69	0.060	1.25	20	19.688	8.750	5.750	18.685	1" NPT	
24"	150	42.00	27.438	32.00	29.50	27.25	1.88	0.060	1.38	20	19.688	8.750	5.750	18.688	1" NPT	
4"	300	12.00	9.063	10.00	7.88	6.19	1.25	0.060	0.88	8	14.50	5.125	3.750	12.500	1/2" NPT	
6"	300	15.88	10.750	12.50	10.63	8.50	1.44	0.060	0.88	12	14.50	5.125	3.750	12.500	1" NPT	
8"	300	16.50	13.000	15.00	13.00	10.63	1.63	0.060	1.00	12	19.50	6.438	4.875	16.375	1" NPT	
10"	300	18.00	14.938	17.50	15.25	12.75	1.88	0.060	1.13	16	19.50	6.438	4.875	16.375	1" NPT	
12"	300	19.75	15.688	20.50	17.75	15.00	2.00	0.060	1.25	16	27.50	7.938	5.063	18.688	1" NPT	
14"	300	30.0	16.688	23.00	20.25	16.25	2.12	0.060	1.25	20	27.50	7.938	5.063	18.688	1" NPT	
16"	300	33.00	21.250	25.50	22.50	18.50	2.25	0.060	1.38	20	27.50	7.938	5.063	18.688	1" NPT	



0	NPD-0369	07/04/20	M.B.	S.E.
REV	DESCRIPTION	DATE	DFTR	APVD
REVISION				

This drawing and the information herein contained is the property of FluoroSeal Specialty Valves and/or its subsidiaries and is supplied upon the express conditions that the same be returned to FluoroSeal Specialty Valves upon request; all information herein contained is to be treated as secret and confidential; no reproduction of this drawing or any part thereof shall be made without the written permission of FluoroSeal Specialty Valves; acceptance of this drawing shall be deemed acceptance of the foregoing conditions.

FluoroSeal SPECIALTY VALVES
 6418 Transcanadian Highway W.,
 Montreal QC, H4T 1X4
 TEL: (514)739-0220
 FAX: (514)739-5452

TITLE: FLUROSEAL PLUG VALVE 4" TO 24" 152/302 PARTIAL JACKET STD. CONFIG. ASSEMBLY W/GEAR OPERATOR			
SIZE D	DWG NO. FPS-152-302-PJ-STD-13-24	REV 0	
DRAWN BY: M.BENSALAH	DATE: 2007/04/20	SCALE: N.T.S.	
CHKD BY: S.ELFASHNY	DATE: 2007/04/20	SHEET: 1/1	
THIRD ANGLE PROJECTION		DO NOT SCALE DRAWING	