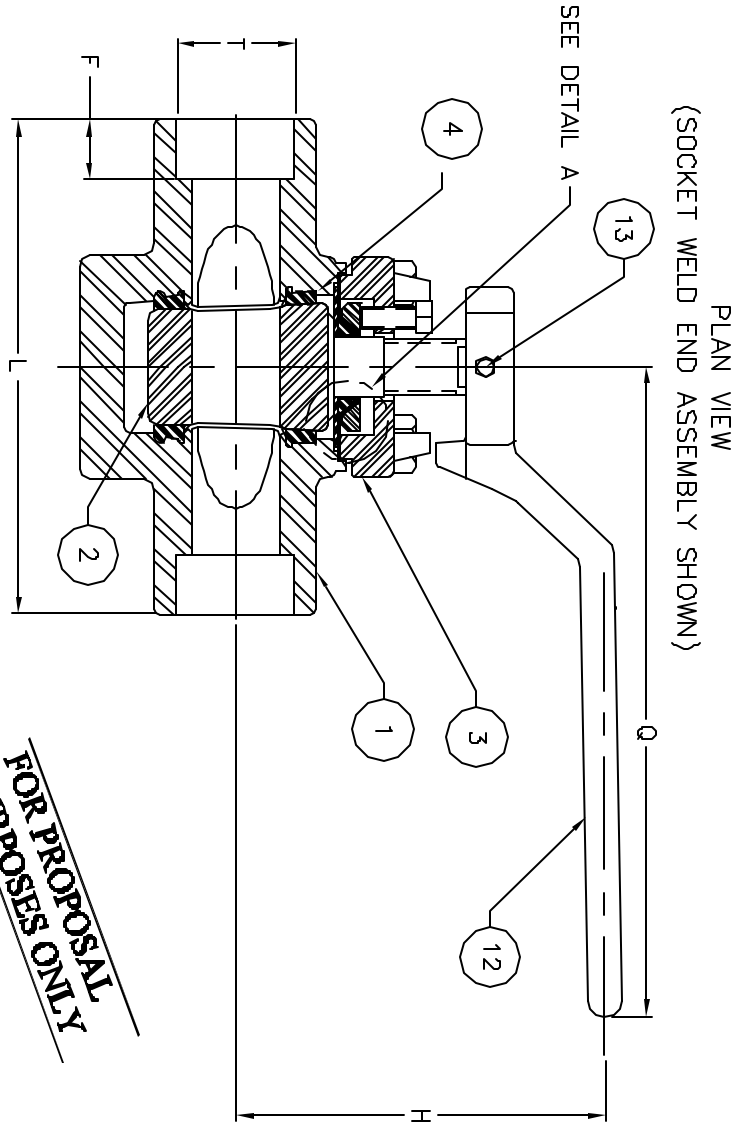
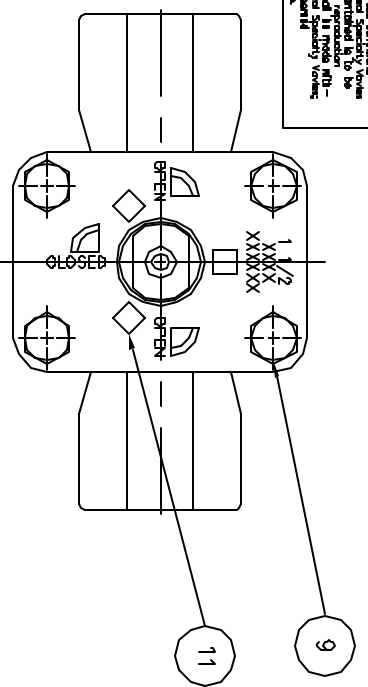
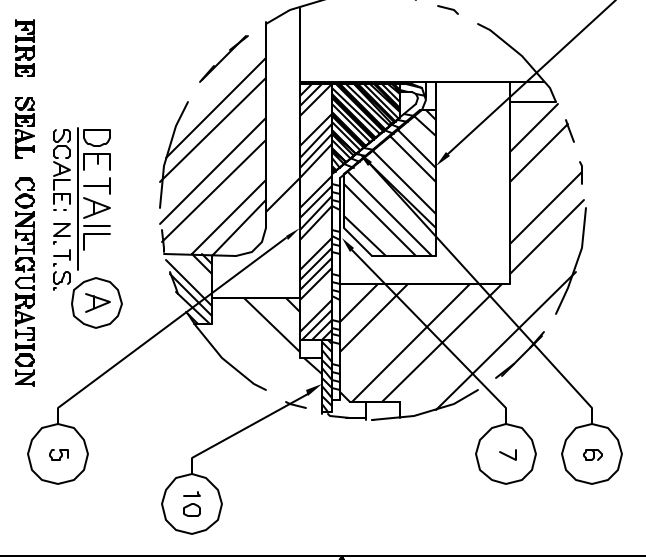


The drawing of the information herein contained is not intended to be construed as a contract. The drawings are not to be used for the purpose of manufacturing or for any other purpose without the express written consent of the manufacturer. The manufacturer shall be held responsible for the accuracy of the drawings and for the compliance of the drawings with the requirements of the contract.



BILL OF MATERIAL	
ITEM QTY	DESCRIPTION
1 1	BODY
2 1	PLUG
3 1	COVER
4 1	SLEEVE
5 1	PTFE DIAPHRAGM
6 1	DELTA RING
7 1	METAL DIAPHRAGM
8 1	THRUST COLLAR
9 4	COVER BOLT
10 1	FIRE SEAL RING
11 3	ADJUSTMENT BOLT
12 1	FLUOROSEAL HANDLE/WRENCH
13 1	WRENCH BOLT



FOR PROPOSAL PURPOSES ONLY

TECHNICAL DATA							
SIZE	H	L	Q	T	F	WT'S (LBS)	WT'S (KG)
1/2"	3.38	3.93	8.00	0.85	0.37	5	2.3
3/4"	3.38	3.93	8.00	1.07	0.50	5	2.3
1"	4.50	5.50	9.00	1.34	0.50	7	3.2
1-1/2"	5.31	6.30	14.25	1.92	0.50	14	6.3
2"	6.25	7.87	18.50	2.40	0.66	22	10

INVESTMENT CASTING OTHERWISE NOTED UNLESS OTHERWISE NOTED DIMENSION 0-1" ±.010 DIMENSION OVER 1" TOLERANCE FROM THE FIRST INCH OVER ±.0005 FOR EACH SURFACE FINISH TO BE 125 OR BETTER MATERIAL: SEE B.O.M.

ALL DIMENSIONS UNLESS OTHERWISE NOTED ARE TO BE REWORKED TO BE BETTER TOLERANCES: DECIMALS: .XX ±.010 .XXX ±.005 FINISH: 125/

REV	A	DESCRIPTION	DATE	M.K.	S.E.
1			05/01/18		

FLUOROSEAL
REGULATORY VALUES

641B Transcendon Highway W, Manford DC, HAT 194 TEL: (514)738-0220 FAX: (514)738-5452