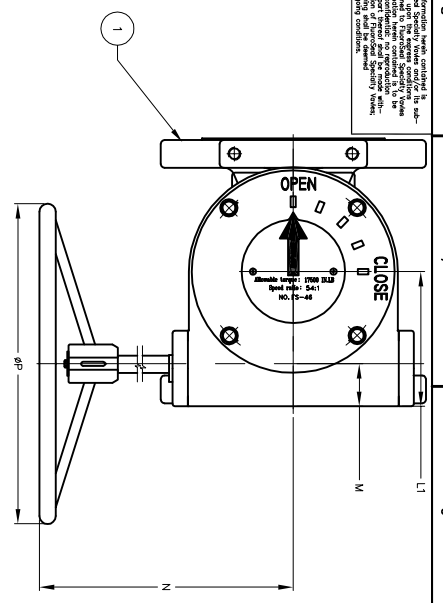
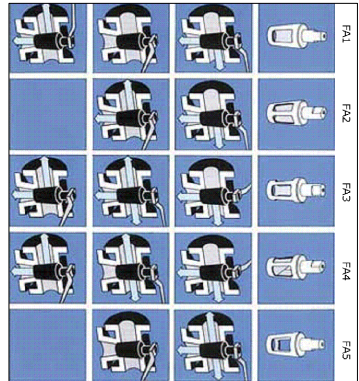


The drawing and the information herein contained is the property of Fluoroseal Valve and/or its subsidiaries. The same is intended to be used only for the purpose of the design and construction of the valve, and no other use without the written permission of Fluoroseal Valve.

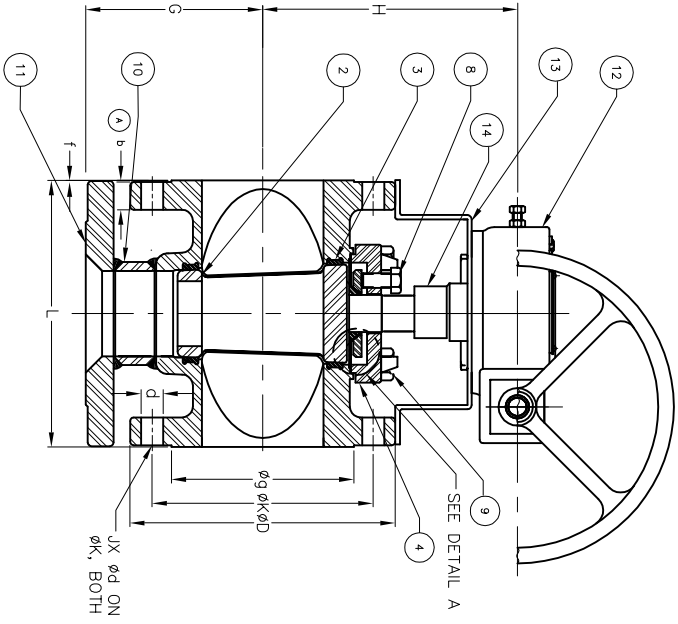


Position A
0°
Position B
90°
Position C
180°

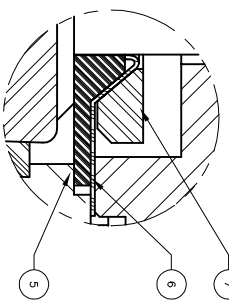


BILL OF MATERIAL	
ITEM QTY	DESCRIPTION
1	BODY
1	PLUG
1	SLEEVE
4	COVER
5	DELTA RING / DIAPHRAGM COMBINED
6	METAL DIAPHRAGM
7	THRUST COLLAR
8	ADJUSTMENT BOLT
9	COVER BOLTS
10	PIPE EXTENSION
11	FLANGE
12	GEAR OPERATOR
13	MOUNTING BRACKET
14	GEAR ADAPTOR

TYPICAL PLAN VIEW
(FLANGED END ASSEMBLY SHOWN)



DETAIL A
STANDARD CONFIGURATION



SIZE	CLASS	TECHNICAL DATA													
		L	H	D	ØK	Øg	b	f	d	U	ØP	L1	M	N	G
4"	150	9.00	9.0	9.00	7.50	6.19	.94	0.060	0.75	8	14.5	5.0	3.7	12.4	6.03
6"	150	10.50	10.7	11.00	9.50	8.50	1.00	0.060	0.88	8	14.5	5.0	3.7	12.4	7.53
8"	150	11.50	13.0	13.50	11.75	10.63	1.13	0.060	0.88	8	19.5	6.4	4.8	16.4	9.03
10"	150	13.00	14.9	16.00	14.25	12.75	1.19	0.060	1.00	12	19.5	6.4	4.8	16.4	—
12"	150	14.00	15.7	19.00	17.00	15.00	1.25	0.060	1.00	12	27.5	7.0	5.0	18.7	13.75
14"	150	15.00	15.7	21.00	18.75	16.25	1.38	0.060	1.12	12	27.5	7.0	5.0	18.7	—
4"	300	12.00	9.0	10.00	7.88	6.19	1.25	0.060	0.88	8	14.5	5.0	3.7	12.4	6.78
6"	300	15.88	10.7	12.50	10.63	8.50	1.44	0.060	0.88	12	14.5	5.0	3.7	12.4	8.53
8"	300	16.50	13.0	15.00	13.00	10.63	1.63	0.060	1.00	12	19.5	6.4	4.8	16.4	10.00
10"	300	18.00	14.9	17.50	15.25	12.75	1.88	0.060	1.13	16	19.5	6.4	4.8	16.4	—
12"	300	19.75	15.7	20.50	17.75	15.00	2.00	0.060	1.25	16	27.5	7.0	5.0	18.7	14.00
14"	300	30.0	15.7	23.00	20.25	16.25	2.12	0.060	1.25	20	27.5	7.0	5.0	18.7	—

This drawing and the information herein contained is the property of Fluoroseal Valve and/or its subsidiaries. The same is intended to be used only for the purpose of the design and construction of the valve, and no other use without the written permission of Fluoroseal Valve.

Fluoroseal
PROJECT NUMBER
1875, 46e Avenue, Lachine, Quebec,
Canada H8T2N8
TEL: (514)739-0220
FAX: (514)739-5452

PROJECT NO: N/A
PROJECT NAME: 4" TO 14" 153/303F STANDARD CONFIG. ASSEMBLY W/GEAR
P.O. NO: N/A
ITEM NO: N/A
DRAWN BY: FPS-153-303-F-STD-13-19
CHKD BY: SELFASHNY
DATE: 2011/08/23
SCALE: N.T.S.
SHEET: 1/1

CUSTOMER NAME: N/A
THIRD ANGLE PROJECTION DO NOT SCALE DRAWING

REV	DESCRIPTION	DATE	DRTR	APRD	S.E.
A	NPD-0934	11/08/22			
0	NPD-0334	08/11/09	M.B.	A.R.	