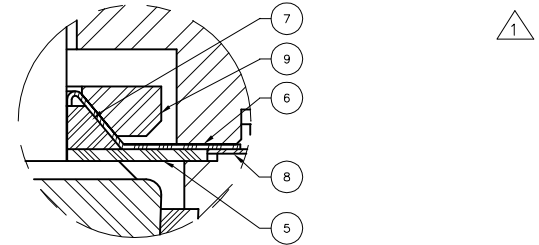
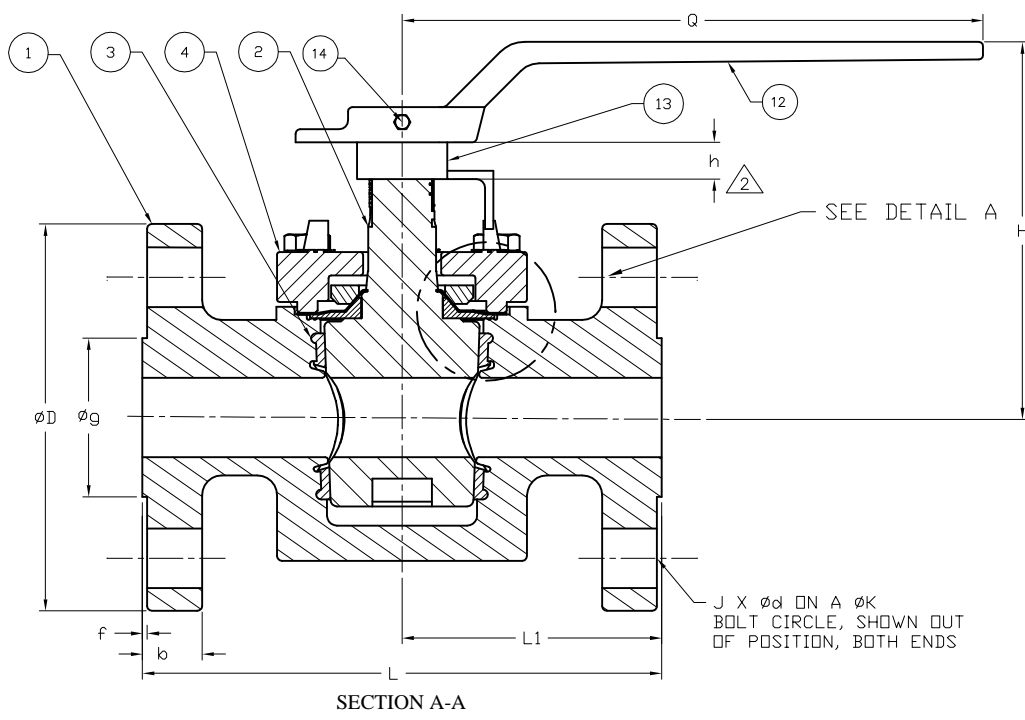


NOTE:
 1 DIMENSION "H" DOESN'T INCLUDE DIMENSION "h".
 2 STEM EXTENSION HEIGHT IS SPECIFIED BY CUSTOMER IF REQUIRED.

BILL OF MATERIAL		
ITEM	QTY	DESCRIPTION
1	1	BODY
2	1	PLUG
3	1	SLEEVE
4	1	COVER
5	1	DIAPHRAGM
6	1	METAL DIAPHRAGM
7	1	DELTA RING
8	1	FIRE SEAL RING
9	1	THRUST COLLAR
10	4	COVER BOLT
11	3	ADJUSTMENT BOLT
12	1	FLUOROSEAL HANDLE/WRENCH
13	1	STEM EXTENSION (IF REQ'D)
14	1	WRENCH BOLT

TECHNICAL DATA												
SIZE	CLASS	L	D	K	g	b	f	d	j	L1	H	Q
1/2"	150	4.25	3.50	2.38	1.38	.38	.06	.63	4	2.13	3.69	8.00
3/4"	150	4.63	3.88	2.75	1.69	.41	.06	.63	4	2.32	3.69	8.00
1"	150	6.50	4.88	3.13	2.00	0.69	.06	.63	4	3.25	7.06	14.25
1-1/2"	150	7.50	6.13	3.88	2.88	0.81	.06	.63	4	3.75	8.25	16.5
2"	150	8.50	6.50	4.75	3.62	.88	.06	.75	4	3.25	9.36	23.63
1/2"	150	4.25	3.50	2.38	1.38	.38	.06	.63	4	2.13	3.69	8.00
3/4"	150	4.63	3.88	2.75	1.69	.41	.06	.63	4	2.32	3.69	8.00
1"	300	6.50	4.88	3.50	2.00	0.69	.06	.75	4	3.25	7.06	14.25
1-1/2"	300	7.50	6.13	4.50	2.88	0.81	.06	.88	4	3.75	8.25	16.5
2"	300	8.50	6.50	4.75	3.62	.88	.06	.88	8	3.25	9.36	23.63



DETAIL A
FIRE SEAL CONFIGURATION

0	# NPD - 0294	2006/10/20	S.C.	M.B.
REV	DESCRIPTION	DATE	DFTR	APVD
REVISION				

This drawing and the information herein contained is the property of Fluoroseal Specialty Valves and/or its subsidiaries and is supplied upon the express conditions that the same be returned to Fluoroseal Specialty Valves upon request; all information herein contained is to be treated as secret and confidential; no reproduction of this drawing or any part thereof shall be made without the written permission of Fluoroseal Specialty Valves; acceptance of this drawing shall be deemed acceptance of the foregoing conditions.

Fluoroseal SPECIALTY VALVES
 6418 Transcanadian Highway W.,
 Montreal QC, H4T 1X4
 TEL: (514)739-0220
 FAX: (514)739-5452

TITLE: FLUOROSEAL PLUG VALVE 1/2" TO 2" F152F/F302F FULL PORT FIRESEAL. CONFIG. ASSEMBLY W/WRENCH			
SIZE A	DWG NO. FPS-F152-F302-FS-05-09	REV 0	
DRAWN BY: S.CHEN	DATE: 2006/10/20	SCALE: N.T.S.	
CHKD BY: M.BENSALAH	DATE: 2006/10/20	SHEET: 1/1	
THIRD ANGLE PROJECTION DO NOT SCALE DRAWING			