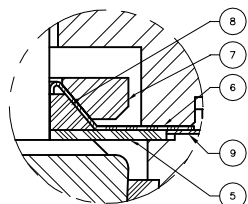
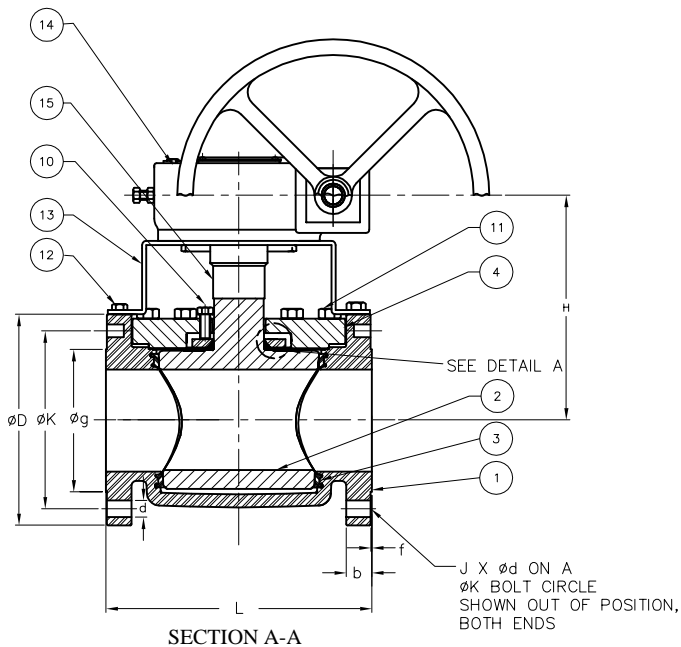
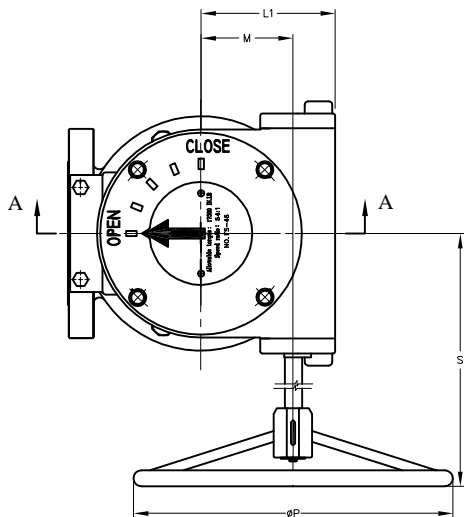


This drawing and the information herein contained is the property of FluoroSeal Specialty Valves and/or its subsidiaries and is supplied upon the express conditions that the same be returned to FluoroSeal Specialty Valves upon request; all information herein contained is to be treated as secret and confidential; no reproduction of this drawing or any part thereof shall be made without the written permission of FluoroSeal Specialty Valves; acceptance of this drawing shall be deemed acceptance of the foregoing conditions.



DETAIL A
FIRE SEAL CONFIGURATION



SECTION A-A

BILL OF MATERIAL		
ITEM	QTY	DESCRIPTION
1	1	BODY
2	1	PLUG
3	1	SLEEVE
4	1	COVER
5	1	DIAPHRAGM
6	1	METAL DIAPHRAGM
7	1	THRUST COLLAR
8	1	DELTA RING
9	1	FIRE SEAL RING
10	3	ADJUSTMENT BOLT
11	VAR.	COVER BOLTS
12	4	BRACKET BOLTS
13	1	BRACKET
14	1	GEAR ACTUATOR
15	1	GEAR ADAPTOR

TECHNICAL DATA														
SIZE	CLASS	L	D	ØK	Øg	b	f	d	J	ØP	L1	M	S	H
2"	150	8.50	6.50	4.75	3.62	0.88	0.060	0.75	4	14.50	5.0	3.7	12.4	6.56
3"	150	11.125	8.25	6.00	5.00	1.13	0.060	0.75	4	14.50	5.0	3.7	12.4	6.75
4"	150	12.00	10.00	7.50	6.19	1.25	0.060	0.75	8	19.50	6.4	4.8	16.4	9.00
6"	150	15.88	12.50	9.50	8.50	1.44	0.060	0.88	8	19.50	7.0	5.0	18.7	11.0
8"	150	27.00	15.00	11.75	10.63	1.63	0.060	0.88	8	27.50	7.9	5.7	18.7	13.25
10"	150	32.50	17.52	14.25	12.75	2.01	0.060	1.00	12	27.50	7.9	5.7	18.7	16.5

TECHNICAL DATA														
SIZE	CLASS	L	D	ØK	Øg	b	f	d	J	ØP	L1	M	S	H
2"	300	8.50	6.50	5.00	3.62	0.88	0.060	0.88	8	14.50	5.0	3.7	12.4	6.56
3"	300	11.125	8.25	6.63	5.00	1.13	0.060	0.88	8	14.50	5.0	3.7	12.4	6.75
4"	300	12.00	10.00	7.88	6.19	1.25	0.060	0.88	8	19.50	6.4	4.8	16.4	9.00
6"	300	15.88	12.50	10.63	8.50	1.44	0.060	0.88	12	19.50	7.0	5.0	18.7	11.0
8"	300	27.00	15.00	13.00	10.63	1.63	0.060	1.00	12	27.50	7.9	5.7	18.7	13.25
10"	300	32.50	17.52	15.25	12.75	2.01	0.060	1.00	12	27.50	7.9	5.7	18.7	16.5

0	# NPDP - 0294	2006/07/10	S.C.	M.B.
REV	DESCRIPTION	DATE	DFTR	APVD
REVISION				

This drawing and the information herein contained is the property of FluoroSeal Specialty Valves and/or its subsidiaries and is supplied upon the express conditions that the same be returned to FluoroSeal Specialty Valves upon request; all information herein contained is to be treated as secret and confidential; no reproduction of this drawing or any part thereof shall be made without the written permission of FluoroSeal Specialty Valves; acceptance of this drawing shall be deemed acceptance of the foregoing conditions.

fluoroSeal SPECIALTY VALVES
 6418 Transcanadian Highway W.,
 Montreal QC, H4T 1X4
 TEL: (514)739-0220
 FAX: (514)739-5452

TITLE:				
FLUOROSEAL PLUG VALVE 2" TO 10" F152F/F302F FULL PORT FIRESEAL CONFIG. ASSEMBLY W/ GEAR				
SIZE A	DWG NO. FPS-F152-F302-FS-09-17	REV 0		
DRAWN BY: S.CHEN		DATE: 2006/07/10	SCALE: N.T.S.	
CHKD BY: M.BENSALAH		DATE: 2006/07/10	SHEET: 1/1	
THIRD ANGLE PROJECTION			DO NOT SCALE DRAWING	