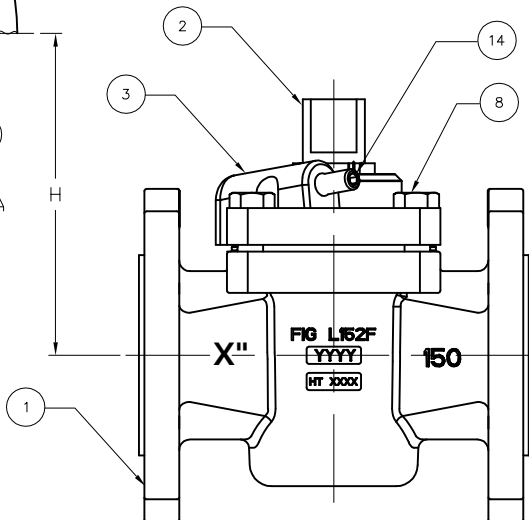
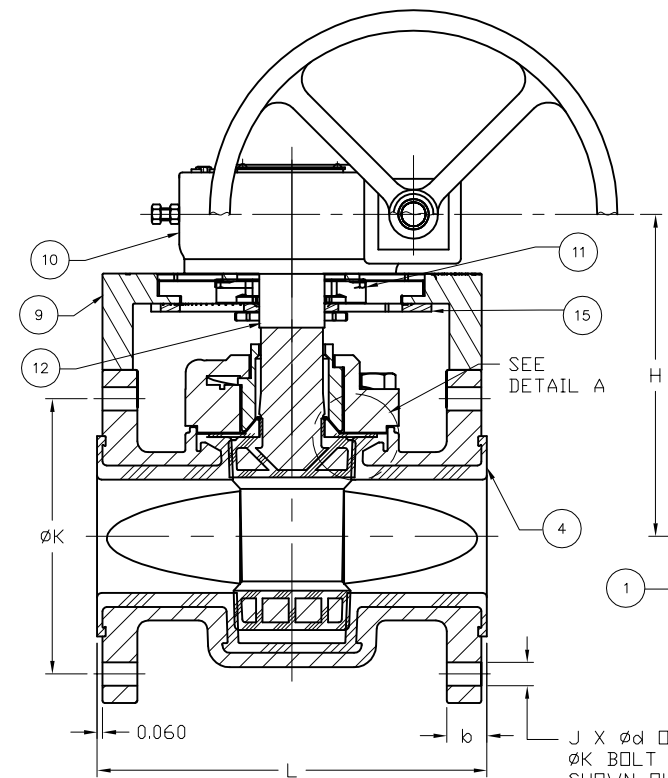


DETAIL A
N.T.S.

BILL OF MATERIAL			
ITEM	QTY	DESCRIPTION	MATERIAL
1	1	BODY	ASTM A216, WCB
2	1	PLUG	ASTM A216, WCB
3	1	EZ COVER	ASTM A216, WCB
4	1	LINING	PFA
5	1	COMBINED DELTA RING & DIAPHRAGM	PTFE
6	1	METAL DIAPHRAGM	304 S.S.
7	1	EZ CAM	ASTM A890, CD4MCU
8	4	COVER BOLT	ASTM A193, GR.B7
9	1	EZ BRACKET	ASTM A351 GR. CF8
10	1	GEAR ACTUATOR	FS-46 GEAR
11	4	GEAR BOLT	SAE, GR.5
12	1	GEAR ADAPTOR	4140 STEEL
13	4	BRACKET BOLT	304 S.S.
14	1	ADJUSTMENT SCREW	304 S.S.
15	1	EZ LOCK	ASTM A351 GR. CF8

TECHNICAL DATA													
SIZE	CLASS	L	H	D	K	g	b	d	j	øP	M	N	L1
4"	150	9.00	9.1	9.00	7.50	6.19	.94	.75	8	14.5	3.7	12.4	5.0
6"	150	10.50	11.8	11.00	9.50	8.50	1.00	.88	8	14.5	3.7	12.4	5.0



REV	DESCRIPTION	DATE	DFTR	APVD
B	SEE #ECN-0615	2008/07/08	K.D.	S.E.
A	SEE #ECN-0547	2008/04/07	K.D.	S.E.
O	SEE #NPD-0354	2007/02/02	M.B.	A.R.

This drawing and the information herein contained is the property of FluoroSeal Specialty Valves and/or its subsidiaries and is supplied upon the express conditions that the same be returned to FluoroSeal Specialty Valves upon request; all information herein contained is to be treated as secret and confidential; no reproduction of this drawing or any part thereof shall be made without the written permission of FluoroSeal Specialty Valves; acceptance of this drawing shall be deemed acceptance of the foregoing conditions.

FluoroSeal SPECIALTY VALVES
1875, 46e Avenue Lachine
Montreal QC, H8T 2N8
TEL: (514)739-0220
FAX: (514)739-5452

TITLE:			
FLUROSEAL LINED PLUG VALVE			
4"-6" 152F STANDARD CONFIGURATION			
ASSEMBLY W/GEAR ACTUATOR			
SIZE	DWG NO.	REV	
A	FPS-L152-F-STD-13-15	B	
DRAWN BY: K.DEBCHI		DATE: 2008/07/08	SCALE: N.T.S.
CHKD BY: S.ELFASHNY		DATE: 2008/07/08	SHEET: 1/1
THIRD ANGLE PROJECTION DO NOT SCALE DRAWING			