

# FluoroSeal Inc.

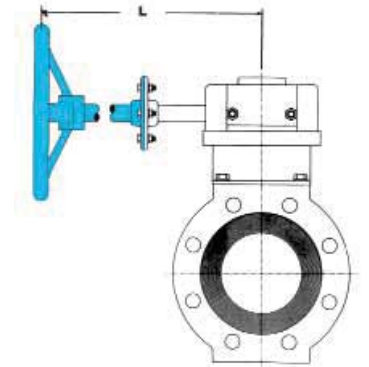
Specialty Valves



## ACCESSORIES

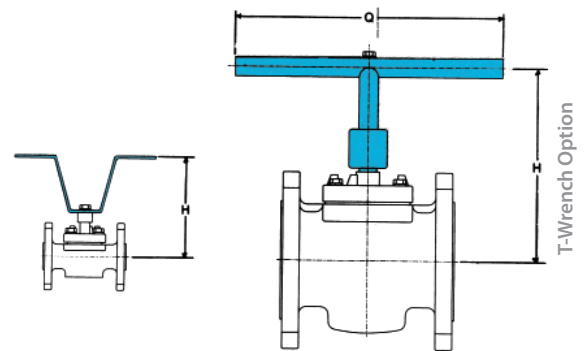
**HANDWHEEL EXTENSION — GEAR OPERATOR**

Custom extension to fit your particular space requirements. Please specify the length (L) needed. Support may be required depending on the length of the extension. (To be supplied by the customer.)



**T-WRENCH AND EXTENSION OPTION**

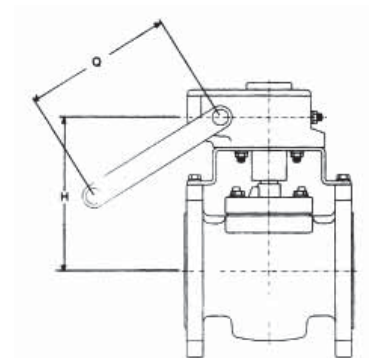
If longer "H" dimension, please specify.



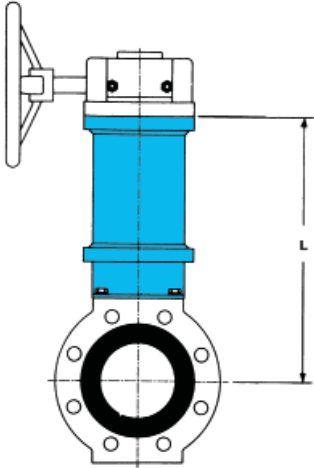
VALVE SIZE	1/2" (DN 15)		3/4" (DN 20)		1" (DN 25)		1 1/2" (DN 40)		2" (DN 50)		3" (DN 80)		4" (DN 100)	
	in	mm	in	mm	in	mm	in	mm	in	mm	in	mm	in	mm
Q	12.00	304.80	12.00	304.80	18.00	457.20	28.00	711.20	36.00	914.40	36.00	914.40	42.00	1066.80
H	6.80	172.72	6.80	172.72	7.40	187.96	8.00	203.20	8.40	213.36	9.00	228.60	9.60	243.84

**CRANK HANDLE**

VALVE SIZE	4" EG (DN 100)		6" EG (DN 150)		8" EG		10" EG		12" EG	
	in	mm	in	mm	in	mm	in	mm	in	mm
Q	7.25	184.15	7.25	184.15	9.75	247.65	9.75	247.65	13.75	349.25
H	10.75	273.05	11.50	292.10	13.00	330.20	15.50	393.70	17.25	438.15

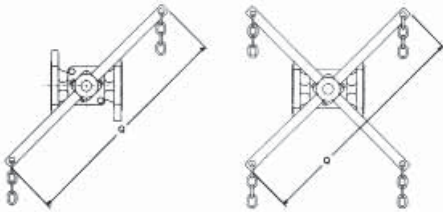


PLUG-ANSI-DIN-R003-2012



**STEM EXTENSION — GEAR OPERATOR**

Stem extensions are used for remote operation of the valve. Actuators can be attached to the top of the extension. Specify the length (L) of the extension required and the figure number of the valve it is to be attached to.

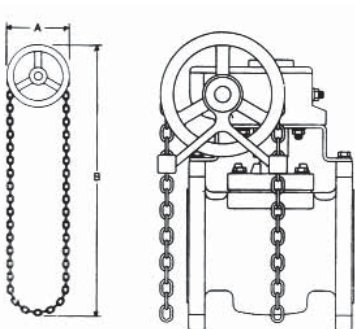


**CHAIN WRENCH**

Specify the chain length required and whether the valve will be installed in a horizontal or vertical line. To calculate chain length:

- 90° rotation: 1. Double required drop  
 2. Multiply Q by 0.5  
 3. 1+2 = required chain length
- 180° rotation: Double calculation for 90°

VALVE SIZE	1/2" (DN 15)		3/4" (DN 20)		1" (DN 25)		1 1/2" (DN 40)		2" (DN 50)		3" (DN 80)		4" (DN 100)	
	in	mm	in	mm	in	mm	in	mm	in	mm	in	mm	in	mm
Q	13.00	330.20	13.00	330.20	16.00	406.40	24.00	406.40	36.00	914.40	36.00	914.40	60.00	1524.00



**CHAIN WHEEL**

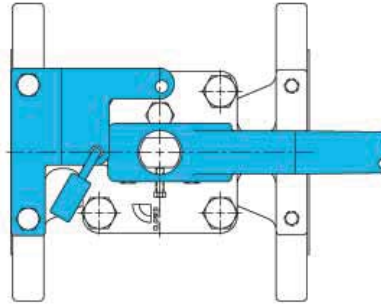
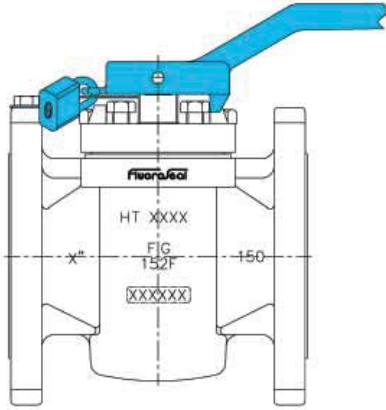
Specify the chain length required and whether the valve will be installed in a horizontal or vertical line. To calculate chain length:

1. Double required drop B  
 2. Multiply chain wheel diameter A by 2.6  
 3. 1+2 = required chain length

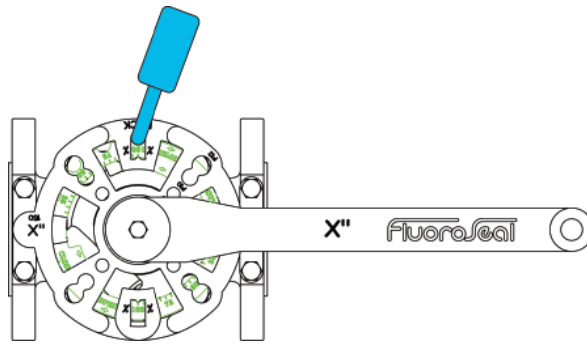
PLUG-ANSI-DIN-R003-2012

WRENCH OPERATOR LOCKING DEVICE

Pad lock is not supplied.



Locking Device on Regular Cover



Locking Device on EZ-SEAL®

GEAR OPERATOR LOCKING DEVICE

Pad lock is not supplied.

